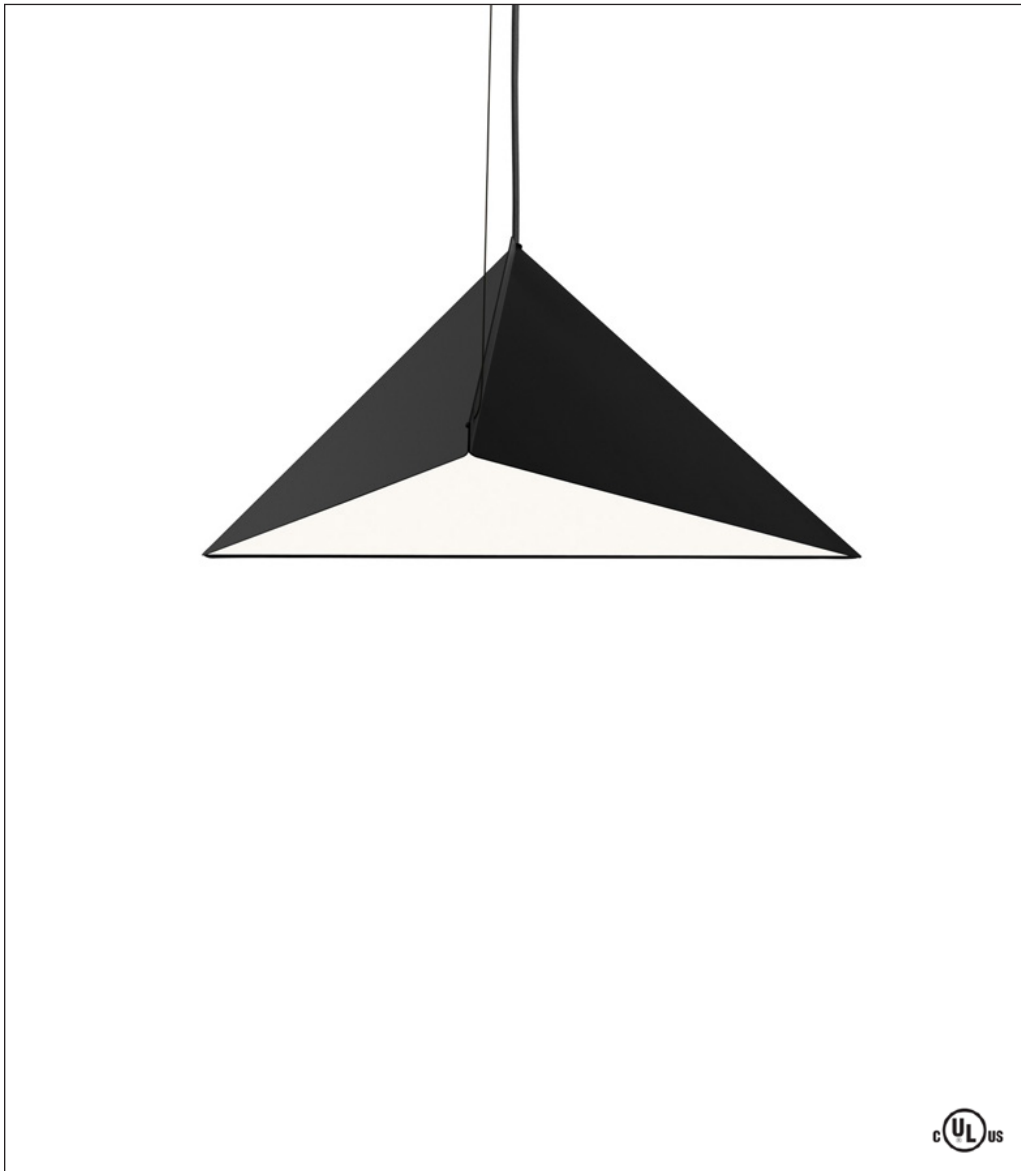


Zero

Top Pendant



Put this angular (triangular) pendant at the top of your list and your most discerning clients will see you as architecturally astute as you know you are. The Top, designed by Tham & Videgård, comes in white- or black-painted metal and has a matte acrylic diffuser and an adjustable shade.

Ordering Matrix

Model

7850101 = White, 25.5" (1 x 22W T-5)
 7850106 = Black, 25.5" (1 x 22W T-5)
 7850301 = White, 39.25" (1 x 40W T-5)
 7850306 = Black, 39.25" (1 x 40W T-5)
 7852101 = White, 25.5" (1 x 26W E-26)
 7852106 = Black, 25.5" (1 x 26W E-26)
 7852301 = White, 39.25" (1 x 26W E-26)
 7852306 = Black, 39.25" (1 x 26W E-26)

*Cord: Black or White

F (Fluorescent)

1 x 22W Circleline T-5
 1 x 40W Circleline T-5
 1 x 26W CFL Spiral E-26

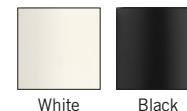
Finish

WHT = White
 BLK = Black

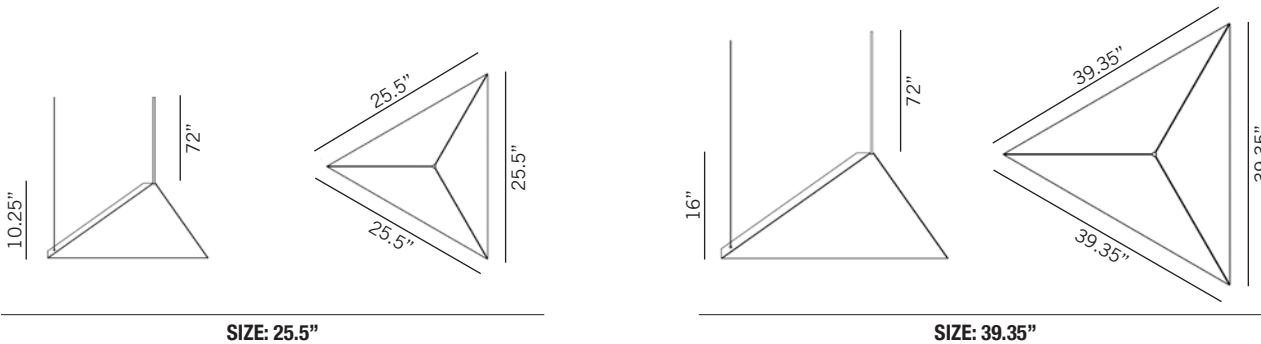
Fixture as shown

7855306	F	BLK
Top Pendant	1 x 26W	Black

Finishes



Design by: Tham & Videgård



POWERED BY
GlobalLighting

Global Lighting 545 Franklin Avenue, Mount Vernon, NY 10550 ph: 914.591.4095 fx: 914.591.3796

ZERO

illuminations

425 Peachtree Hills Ave. NE #3 Atlanta, GA 30305
 404.876.1064 sales@illumco.com