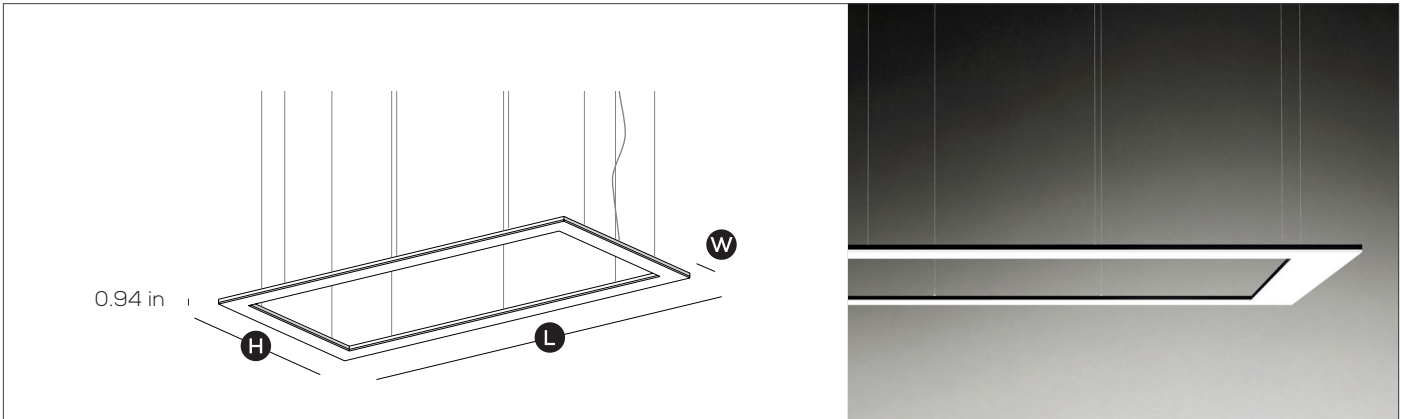




# FRAME SUSPENDED

# FOLIO®



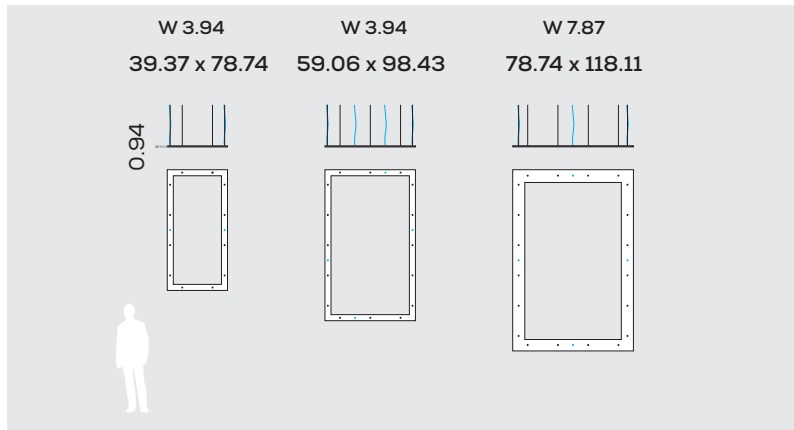
	<b>W 3.94</b> <b>39.37 x 78.74 in</b>	<b>W 3.94</b> <b>59.06 x 98.43 in</b>	<b>W 7.87</b> <b>78.74 x 118.11 in</b>
<b>ELECTRICAL SPECS.</b>			
Voltage:	24 V DC	24 V DC	24 V DC
Driver - transformer:	AC/DC 24 V	AC/DC 24 V	AC/DC 24 V
Consumption P1:	120 W	160 W	200 W
Consumption P2:	224 W	304 W	368 W
Dimmability:	DMX, DALI, 1-10 V (with PWM) and Potentiometer (with PWM)	DMX, DALI, 1-10 V (with PWM) and Potentiometer (with PWM)	DMX, DALI, 1-10 V (with PWM) and Potentiometer (with PWM)
<b>PHYSICAL SPECS.</b>			
Thickness:	0.94 in	0.94 in	0.94 in
Weight:	33.06 lb	44.09 lb	110.23 lb
Materials:	Acrylic (PMMA) - Aluminium	Acrylic (PMMA) - Aluminium	Acrylic (PMMA) - Aluminium
Size:	<b>H</b> 39.37 in <b>L</b> 78.74 in <b>W</b> 3.94 in	<b>H</b> 59.06 in <b>L</b> 98.43 in <b>W</b> 3.94 in	<b>H</b> 78.74 in <b>L</b> 118.11 in <b>W</b> 7.87 in
Number of susp. cables:	12	16	20
<b>LED</b>			
Flusso luminoso output P1:	3401 lm	4620 lm	5687 lm
Flusso luminoso output P2:	6185 lm	8400 lm	10340 lm
Colore temp LED (CCT):	2700 K, 3000 K, 4000 K	2700 K, 3000 K, 4000 K	2700 K, 3000 K, 4000 K
Indice di resa cromatica:	RA min. 90 - R9 min. 50	RA min. 90 - R9 min. 50	RA min. 90 - R9 min. 50
Posizionamento LED:	On the external perimeter and/or the internal perimeter	On the external perimeter and/or the internal perimeter	On the external perimeter and/or the internal perimeter
<b>GENERAL SPECS.</b>			
Montaggio:	Ceiling, suspended	Ceiling, suspended	Ceiling, suspended
Ambiente di utilizzo:	Indoor	Indoor	Indoor
Durata stimata LED:	50,000 hours	50,000 hours	50,000 hours
Garanzia:	2 years	2 years	2 years



# FRAME SUSPENDED



## SIZES AND FINISHES

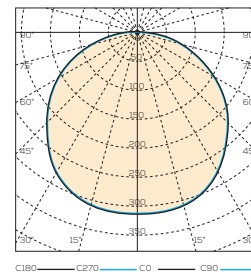


White  Black  Ox

## TECHNICAL DESCRIPTION

Frame is the series of FOLIO® products with rectangular and square frame, with a thickness of 0.94 in, width up to 78.74 in and length up to 118.11 in. LED panels with transparent methacrylate slab with microprism laser incision, 0.39 in opal diffuser (PMMA) and 0.55 in aluminum case. Single or double LED installed on the internal and/or external perimeter of the panel.

## POLAR DIAGRAM [cd/klm]



Available on request in different sizes and special finishes.

Product code see Frame brochure pag. 17

## APPLICATIONS

