

# FLOS

## Superarchimoon Outdoor, Panama - Specification Sheet by Philippe Starck, 2006

Mounting	Free Standing
Lamp (Bulb) Description	1 x 250W T-10 Medium Frosted Halogen
Environment	Outdoor - Wet location
Finish	Panama
Technical and Product Description	SUPERARCHIMOON outer diffuser obtained from weaves of colored PVC tubes compounds with polyester painted phospho-chromated aluminum tubular internal frame. Inner diffuser in injection-molded opal polycarbonate. "Galvanized" structural parts (base support).

### Electrical

IP Rating	IP55
-----------	------

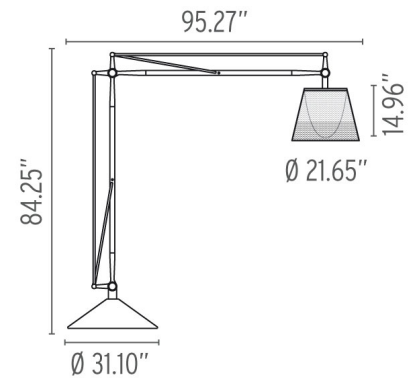
### Physical

Cord Length (inches)	393
Construction Material	Aluminium, special materials for good weather resistance
Weight	356.5 lbs



FU636722 Panama

### Dimensional Image



### Lamping (Bulb)



250W T-10 Medium Frosted Halogen