

FLOS

Glo-Ball Basic (Halogen) - Specification Sheet by Jasper Morrison, 1998

Mounting	Table Top
Lamp (Bulb) Description	1 x 150W T-8 Medium Frosted Halogen (Included)
Environment	Indoor - Dry Location
Dimming	Dimmable
Finish	Opal
Technical and Product Description	GLO-BALL BASIC 2 table lamp with blown white acid-etched glass diffuser. 30% fiberglass reinforced injection-molded polyamide (UL-94 V2) base. Gray painted, die-cast aluminum diffuser support. 0-100% dimmer fitted on polarized power cord.

Electrical

Voltage	120
Switching	0-100% dimmer installed on the cord
IP Rating	IP40

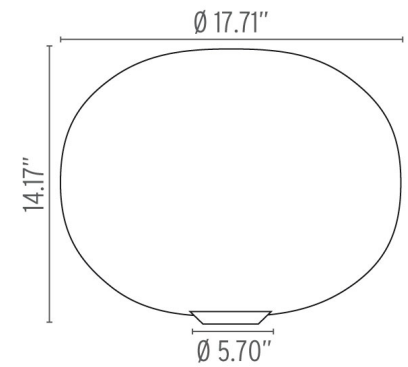
Physical

Cord Length (inches)	78" - White
Construction Material	Aluminum, Blown glass, Plastic
Weight	11.68 lbs



FU302600 Opal

Dimensional Image



Certifications



Lamping (Bulb)



150W T8 E26 Frosted Halogen

Lamping (Bulb)



LED018 PRO-T38LED 14W 120V E26 2700K
DIMM - 1800lm - CRI80 Additional

Lamping (Bulb)



LED031 PRO-T38LED 14W 120V E26 3000K