

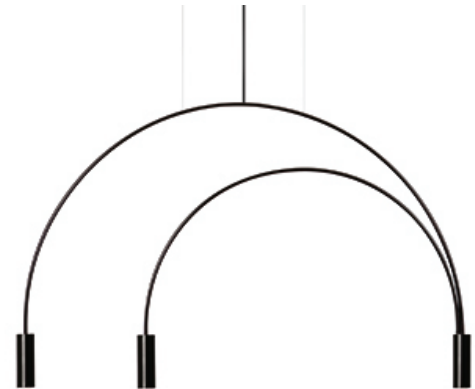
# VOLTA T-3536

## suspension

<b>Date</b>	<b>Type</b>
<b>Project</b>	
<b>Location</b>	
<b>Model #</b>	<b>Quantity</b>
<b>Specifier</b>	

### Description

Suspension lamp with a curved metallic body, cylindrical aluminium heads and acrylic (PMMA) lens diffusers. Adjustable height. Optional 50° angle acrylic optic lens conversion kit.



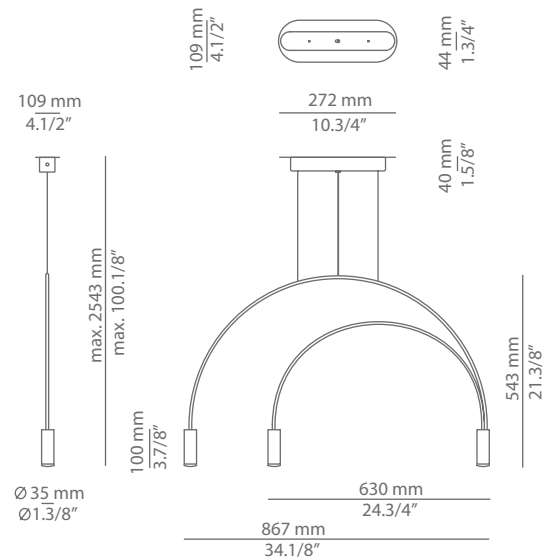
Pictures above might not show the specified dimensions or material. They are for illustration purposes only.

### Ordering information

Code	Lamp	Canopy	Finish body	Finish head
■ T-3536-W	■ LED 3x6.1W (2700K / Ang 120° / >80 CRI / 350mA) 120V (included) / Typ* 3x665 lumens Dimmable Triac / Driver included	■ 26 BLK Black ■ 71 WH White	■ 26 BLK Black	■ 26 BLK Black ■ 61 S GLD Satin Gold

### Product includes

Code	Description
■ 113635XX0U	■ 1 canopy for 1 single pendant
■ T-3536C	■ 1 Volta pendant
■ 671000036	■ 1 driver / Dimmable Triac



## SPECIAL REQUIREMENTS

### Custom versions

We offer custom plated or RAL finishes. Alternate lamping and versions available for projects. Consult our offices.

### Special instructions

---



---



---



**ESTILUZ Inc. USA & CANADA**  
330 West 38th St. Suite 710  
New York, NY 10018 USA  
T+1 (646) 454 - 1285  
F+1 (646) 454 - 1799

info@estiluzusa.com  
www.estiluzusa.com



425 Peachtree Hills Ave. NE #3 Atlanta, GA 30305  
404.876.1064 sales@illumco.com

# VOLTA T-3535C / T-3536C

## suspension

Date	Type
Project	
Location	
Model #	Quantity
Specifier	

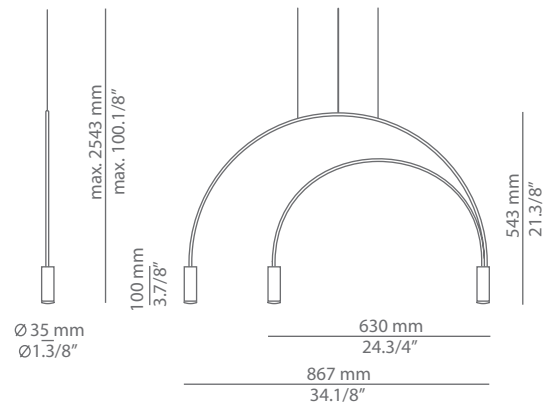
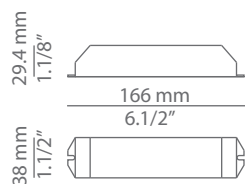
### Ordering information

### Ordering information

Code	Lamp	Finish body	Finish head
■ T-3536C-W	■ LED 3x6.1W (2700K / Ang 120° / >80 CRI / 350mA) 120V (included) / Typ* 3x665 lumens Dimmable Triac / Driver included	■ 26 BLK Black	■ 26 BLK Black ■ 61 S GLD Satin Gold

### Product includes

Code	Description
■ T-3536C	■ 1 Volta pendant
■ 671000036	■ 1 driver / Dimmable Triac / 20W 120V / (Min. 2x6.1W - Max. 3x6.1W)



**ESTILUZ Inc. USA & CANADA**  
330 West 38th St. Suite 710  
New York, NY 10018 USA  
T+1 (646) 454 - 1285  
F+1 (646) 454 - 1799

info@estiluzusa.com  
www.estiluzusa.com



425 Peachtree Hills Ave. NE #3 Atlanta, GA 30305  
404.876.1064 sales@illumco.com

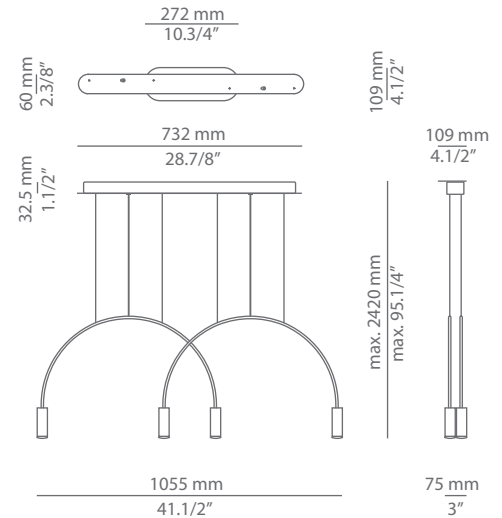
# VOLTA T-3535C / T-3536C

suspension

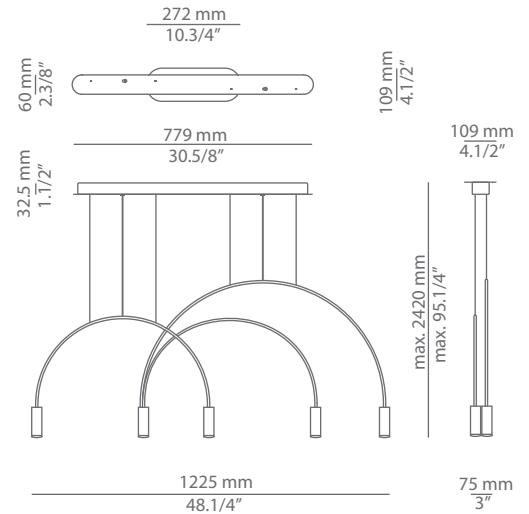
<b>Date</b>	<b>Type</b>
<b>Project</b>	
<b>Location</b>	
<b>Model #</b>	<b>Quantity</b>
<b>Specifier</b>	

## Many possible configurations with T-3535C and T-3536C

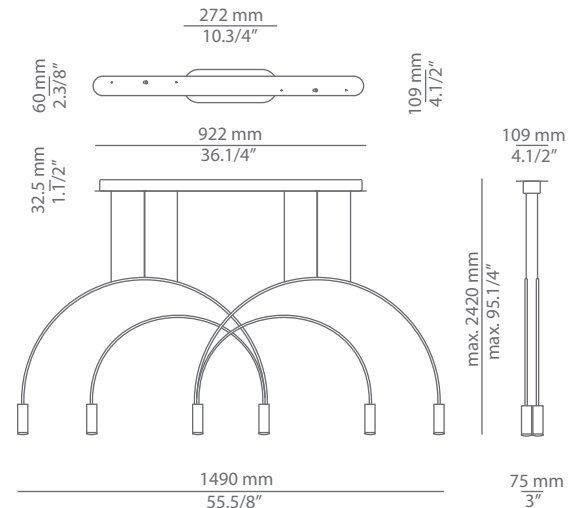
Code	Composition includes									
L173.2D volta	<ul style="list-style-type: none"> <li>1 linear canopy 113536XX1U</li> <li>2 units of T-3535C</li> <li>2 drivers / Dimmable Triac</li> </ul>									
	<table border="0"> <tr> <td><b>Canopy</b></td> <td><b>Body</b></td> <td><b>Head</b></td> </tr> <tr> <td>26 BLK Black</td> <td>26 BLK Black</td> <td>26 BLK Black</td> </tr> <tr> <td>71 WH White</td> <td></td> <td>61 S GLD Satin Gold</td> </tr> </table>	<b>Canopy</b>	<b>Body</b>	<b>Head</b>	26 BLK Black	26 BLK Black	26 BLK Black	71 WH White		61 S GLD Satin Gold
<b>Canopy</b>	<b>Body</b>	<b>Head</b>								
26 BLK Black	26 BLK Black	26 BLK Black								
71 WH White		61 S GLD Satin Gold								



Code	Composition includes									
L78.1D1T volta	<ul style="list-style-type: none"> <li>1 linear canopy 113536XX2U</li> <li>1 unit of T-3535C</li> <li>1 unit of T-3536C</li> <li>2 drivers / Dimmable Triac</li> </ul>									
	<table border="0"> <tr> <td><b>Canopy</b></td> <td><b>Body</b></td> <td><b>Head</b></td> </tr> <tr> <td>26 BLK Black</td> <td>26 BLK Black</td> <td>26 BLK Black</td> </tr> <tr> <td>71 WH White</td> <td></td> <td>61 S GLD Satin Gold</td> </tr> </table>	<b>Canopy</b>	<b>Body</b>	<b>Head</b>	26 BLK Black	26 BLK Black	26 BLK Black	71 WH White		61 S GLD Satin Gold
<b>Canopy</b>	<b>Body</b>	<b>Head</b>								
26 BLK Black	26 BLK Black	26 BLK Black								
71 WH White		61 S GLD Satin Gold								



Code	Composition includes									
L92.2T volta	<ul style="list-style-type: none"> <li>1 linear canopy 113536XX3U</li> <li>2 units of T-3536C</li> <li>2 drivers / Dimmable Triac</li> </ul>									
	<table border="0"> <tr> <td><b>Canopy</b></td> <td><b>Body</b></td> <td><b>Head</b></td> </tr> <tr> <td>26 BLK Black</td> <td>26 BLK Black</td> <td>26 BLK Black</td> </tr> <tr> <td>71 WH White</td> <td></td> <td>61 S GLD Satin Gold</td> </tr> </table>	<b>Canopy</b>	<b>Body</b>	<b>Head</b>	26 BLK Black	26 BLK Black	26 BLK Black	71 WH White		61 S GLD Satin Gold
<b>Canopy</b>	<b>Body</b>	<b>Head</b>								
26 BLK Black	26 BLK Black	26 BLK Black								
71 WH White		61 S GLD Satin Gold								



**ESTILUZ Inc. USA & CANADA**  
 330 West 38th St, Suite 710  
 New York, NY 10018 USA  
 T+1 (646) 454 - 1285  
 F+1 (646) 454 - 1799

info@estiluzusa.com  
 www.estiluzusa.com



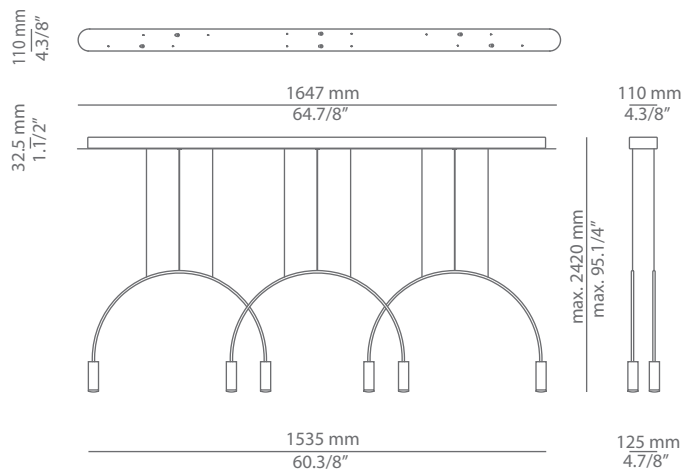
425 Peachtree Hills Ave. NE #3 Atlanta, GA 30305  
 404.876.1064 sales@illumco.com

# VOLTA T-3535C / T-3536C

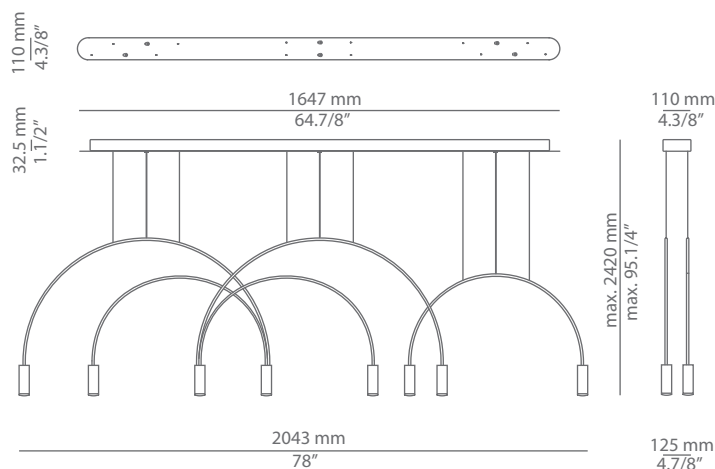
suspension

<b>Date</b>	<b>Type</b>
<b>Project</b>	
<b>Location</b>	
<b>Model #</b>	<b>Quantity</b>
<b>Specifier</b>	

Code	Composition includes	Canopy	Finish Body	Finish Head
L165.3D volta	<ul style="list-style-type: none"> <li>1 linear canopy 113536XX7</li> <li>3 units of T-3535C</li> <li>3 drivers / Dimmable Triac</li> </ul>	<ul style="list-style-type: none"> <li>26 BLK Black</li> <li>71 WH White</li> </ul>	<ul style="list-style-type: none"> <li>26 BLK Black</li> </ul>	<ul style="list-style-type: none"> <li>26 BLK Black</li> <li>61 S GLD Satin Gold</li> </ul>



Code	Composition includes	Canopy	Finish Body	Finish Head
L165.1D2T volta	<ul style="list-style-type: none"> <li>1 linear canopy 113536XX7</li> <li>1 unit of T-3535C</li> <li>2 units of T-3536C</li> <li>3 drivers / Dimmable Triac</li> </ul>	<ul style="list-style-type: none"> <li>26 BLK Black</li> <li>71 WH White</li> </ul>	<ul style="list-style-type: none"> <li>26 BLK Black</li> </ul>	<ul style="list-style-type: none"> <li>26 BLK Black</li> <li>61 S GLD Satin Gold</li> </ul>



**ESTILUZ Inc. USA & CANADA**  
 330 West 38th St. Suite 710  
 New York, NY 10018 USA  
 T+1 (646) 454-1285  
 F+1 (646) 454-1799

info@estiluzusa.com  
 www.estiluzusa.com



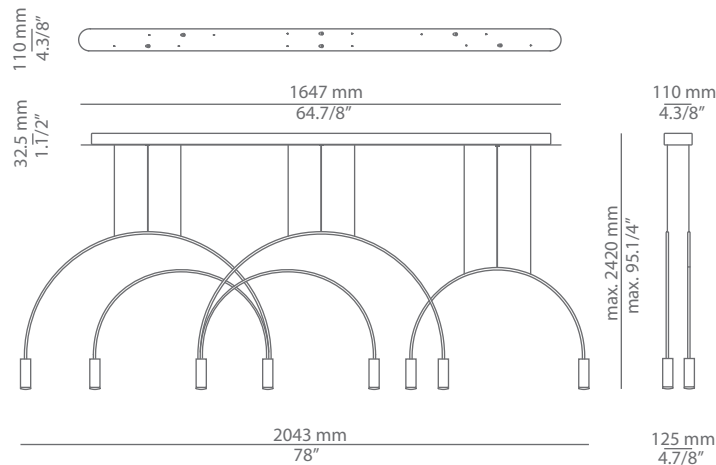
425 Peachtree Hills Ave. NE #3 Atlanta, GA 30305  
 404.876.1064 sales@illumco.com

# VOLTA T-3535C / T-3536C

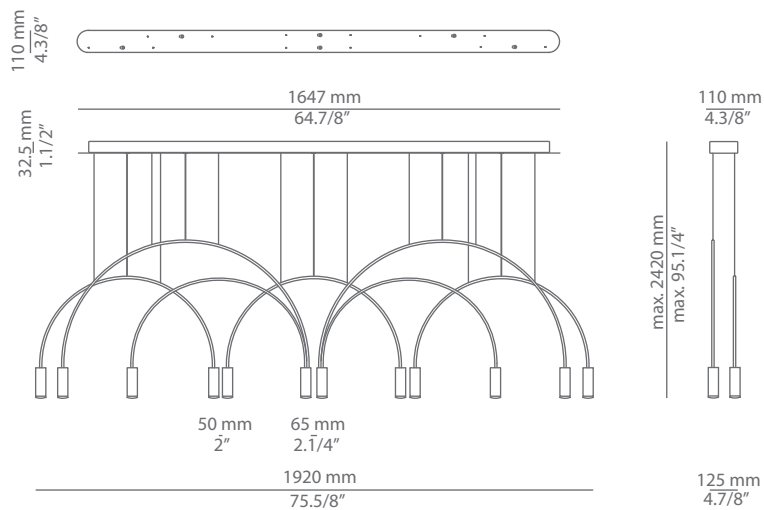
suspension

Date	Type
Project	
Location	
Model #	Quantity
Specifier	

Code	Composition includes	Canopy	Finish Body	Finish Head
L165.1D2T volta	<ul style="list-style-type: none"> <li>1 linear canopy 113536XX7</li> <li>1 unit of T-3535C</li> <li>2 units of T-3536C</li> <li>3 drivers / Dimmable Triac</li> </ul>	<ul style="list-style-type: none"> <li>26 BLK Black</li> <li>71 WH White</li> </ul>	<ul style="list-style-type: none"> <li>26 BLK Black</li> </ul>	<ul style="list-style-type: none"> <li>26 BLK Black</li> <li>61 S GLD Satin Gold</li> </ul>



Code	Composition includes	Canopy	Finish Body	Finish Head
L165.3D2T volta	<ul style="list-style-type: none"> <li>1 linear canopy 113536XX7</li> <li>3 unit of T-3535C</li> <li>2 units of T-3536C</li> <li>5 drivers / Dimmable Triac</li> </ul>	<ul style="list-style-type: none"> <li>26 BLK Black</li> <li>71 WH White</li> </ul>	<ul style="list-style-type: none"> <li>26 BLK Black</li> </ul>	<ul style="list-style-type: none"> <li>26 BLK Black</li> <li>61 S GLD Satin Gold</li> </ul>



**ESTILUZ Inc. USA & CANADA**  
 330 West 38th St. Suite 710  
 New York, NY 10018 USA  
 T+1 (646) 454-1285  
 F+1 (646) 454-1799

info@estiluzusa.com  
 www.estiluzusa.com



425 Peachtree Hills Ave. NE #3 Atlanta, GA 30305  
 404.876.1064 sales@illumco.com