

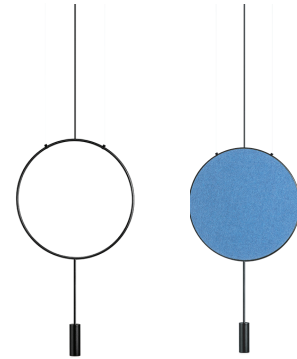
REVOLTA T-3635

suspension

Date	Type
Project	
Location	
Model #	Quantity
Specifier	

Description

Suspension lamp with a circular body, cylindrical aluminium heads and acrylic (PMMA) lens diffusers. Adjustable height. Optional 50° angle acrylic optic lens conversion kit. Optional decorative sound absorbing panel ($\alpha = 0.4$) 95% Virgin wool and 5% polyamide.



Pictures above might not show the specified dimensions or material. They are for illustration purposes only.

Ordering information

Code	Lamp	Canopy	Finish body	Finish head
■ T-3635-W	■ LED 6.1W (2700K / Ang 120° / >80 CRI / 350mA) 120V (included) / Typ* 665 lumens Dimmable Triac / Driver included	■ 26 BLK Black ■ 71 WH White	■ 26 BLK Black	■ 26 BLK Black ■ 61 S GLD Satin Gold

Product includes

Code	Description
■ 113635XX0U	■ 1 canopy for 1 single pendant
■ T-3635C	■ 1 Revolta pendant
■ 671000051	■ 1 driver / Dimmable Triac

Accessories

Code	Description
■ E67353001	■ 50° angle acrylic optic lens conversion kit
■ 123635XX0	■ Acoustic Panel $\varnothing 380\text{mm}$

Finish Panel

■ 82 BL	Blue
■ 83 EGP	Eggplant
■ 84 SLM	Salmon
■ CUSTOM	

SPECIAL REQUIREMENTS

Custom versions

We offer custom plated or RAL finishes. Alternate lamping and versions available for projects. Consult our offices.

Special instructions

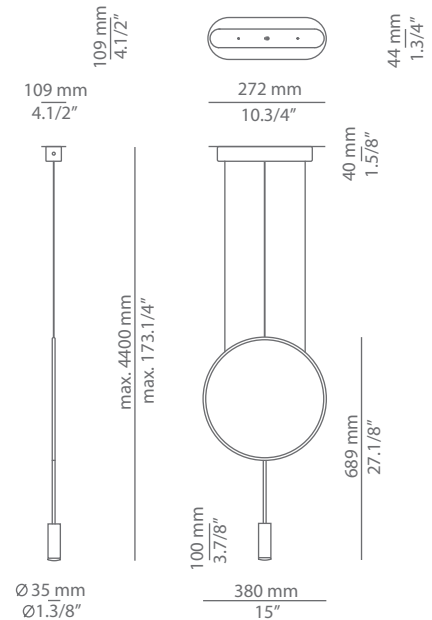
estiluz®

ESTILUZ Inc. USA & CANADA
330 West 38th St. Suite 710
New York, NY 10018 USA
T+1 (646) 454 - 1285
F+1 (646) 454 - 1799

info@estiluzusa.com
www.estiluzusa.com

illuminations

425 Peachtree Hills Ave. NE #3 Atlanta, GA 30305
404.876.1064 sales@illumco.com



REVOLTA T-3635C / T-3636C

suspension

Date	Type
Project	
Location	
Model #	Quantity
Specifier	

Ordering information

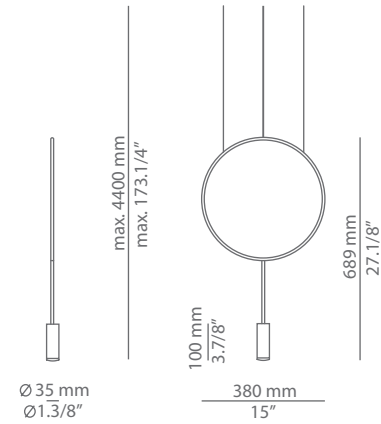
Code	Lamp	Finish body	Finish head	Finish Panel
■ T-3635C-W	■ LED 6.1W (2700K / Ang 120° / >80 CRI / 350mA) 120V (included) / Typ* 665 lumens Dimmable Triac / Driver included	■ 26 BLK Black	■ 26 BLK Black 61 S GLD Satin Gold	■ 82 BL Blue ■ 83 EGP Eggplant ■ 84 SLM Salmon ■ CUSTOM

Product includes

Code	Description
■ T-3635C	■ 1 Revolta pendant
■ 671000051	■ 1 driver / Dimmable Triac

Accessories

Code	Description
■ E67353001	■ 50° angle acrylic optic lens conversion kit
■ 123635XX0	■ Acoustic Panel Ø 380mm



Ordering information

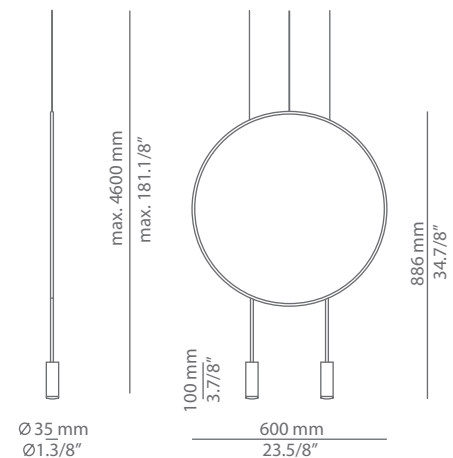
Code	Lamp	Finish body	Finish head	Finish Panel
■ T-3636-W	■ LED 2x6.1W (2700K / Ang 120° / >80 CRI / 350mA) 120V (included) / Typ* 2x665 lumens Dimmable Triac / Driver included	■ 26 BLK Black	■ 26 BLK Black 61 S GLD Satin Gold	■ 82 BL Blue ■ 83 EGP Eggplant ■ 84 SLM Salmon ■ CUSTOM

Product includes

Code	Description
■ T-3636C	■ 1 Revolta pendant
■ 671000036	■ 1 driver / Dimmable Triac

Accessories

Code	Description
■ E67353001	■ 50° angle acrylic optic lens conversion kit
■ 123636XX0	■ Acoustic Panel Ø 600mm



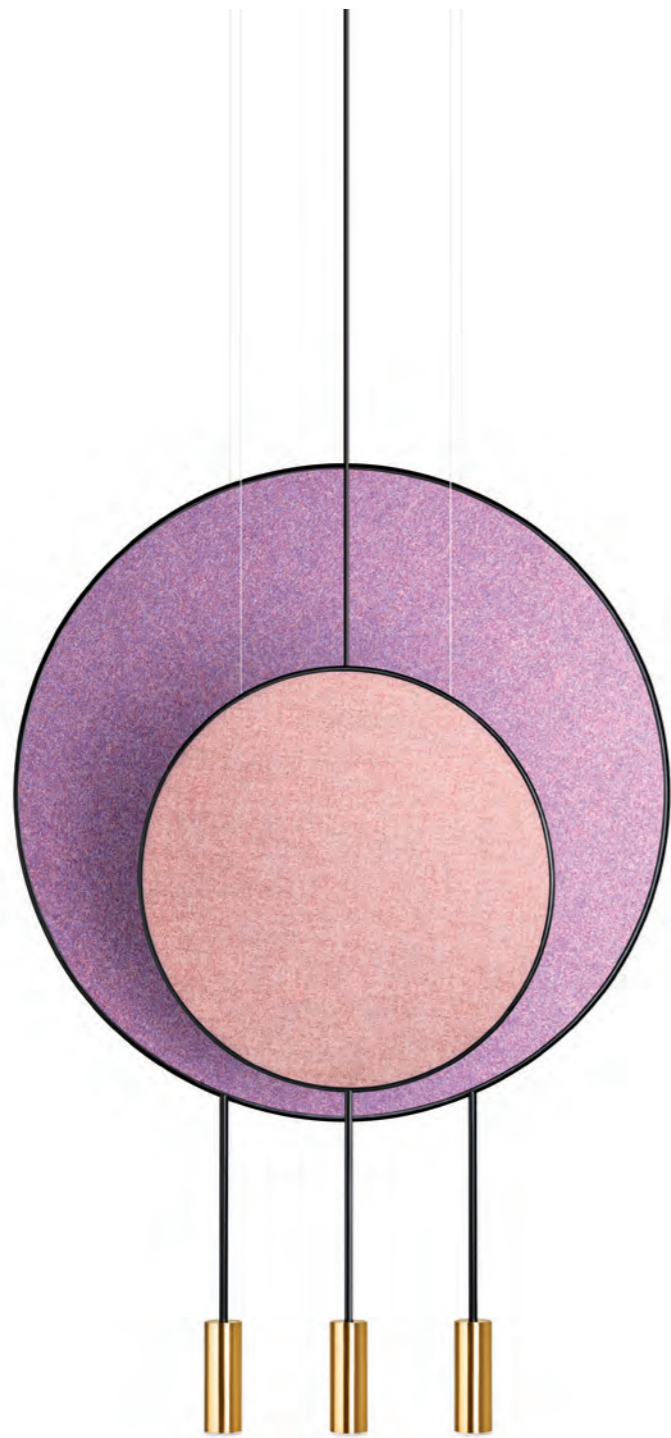
estiluz®

ESTILUZ Inc. USA & CANADA
330 West 38th St. Suite 710
New York, NY 10018 USA
T+1 (646) 454 - 1285
F+1 (646) 454 - 1799

info@estiluzusa.com
www.estiluzusa.com

illuminations

425 Peachtree Hills Ave. NE #3 Atlanta, GA 30305
404.876.1064 sales@illumco.com



^(ENG) Revolta offers a unique and decorative solution to soften room noise with fabric-covered acoustic panels or recycled P.E.T. felt panels. Revolta can also be used to divide large spaces into discrete areas. ^(ESP) Revolta ofrece una solución única y decorativa para atenuar el ruido de una estancia gracias a sus paneles acústicos forrados de espuma y tejido o P.E.T. reciclado que absorben el sonido. Además, se puede utilizar para dividir grandes espacios en zonas más íntimas.

Finish Acoustic panel

Fabric

- 82 BL Blue
- 83 EGP Eggplant
- 84 SLM Salmon

$\alpha=0.4$

P.E.T. felt

- 26 BLK Black

$\alpha=0.25$

Additional

Sound absorbing panels without light are available upon request.

We offer custom finishes and sizes.

Photographs may show non-standard products.

