

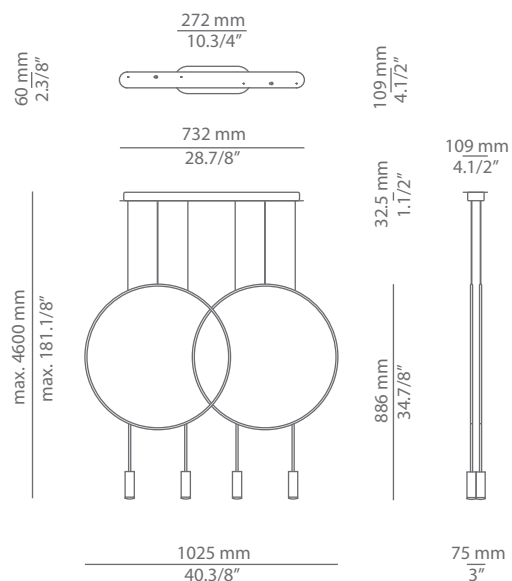
# REVOLTA

T-3635 / T-3636  
suspension

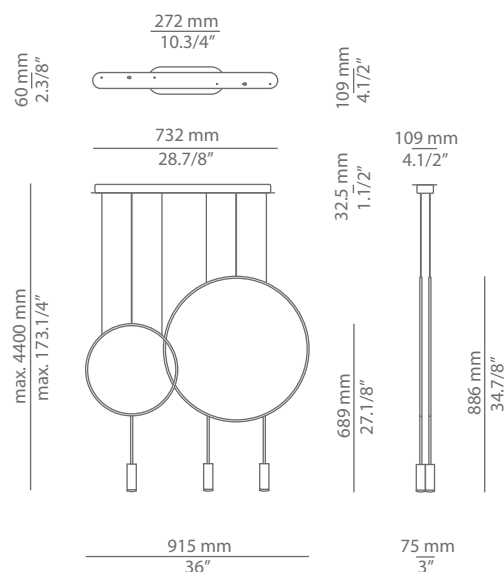
Date	Type
Project	
Location	
Model #	Quantity
Specifier	

## Many possible configurations with T-3635C and T-3636C

Code	Composition includes										
■ L173.2D revolta	<ul style="list-style-type: none"> <li>1 linear canopy 113536XX1U</li> <li>2 units of T-3636C</li> <li>2 drivers / Dimmable Triac</li> </ul>										
	<table border="0"> <tr> <td><b>Canopy</b></td> <td><b>Body</b></td> <td><b>Head</b></td> </tr> <tr> <td>■ 26 BLK Black</td> <td>■ 26 BLK Black</td> <td>■ 26 BLK Black</td> </tr> <tr> <td>■ 71 WH White</td> <td></td> <td>■ 61 S GLD Satin Gold</td> </tr> </table>	<b>Canopy</b>	<b>Body</b>	<b>Head</b>	■ 26 BLK Black	■ 26 BLK Black	■ 26 BLK Black	■ 71 WH White		■ 61 S GLD Satin Gold	
<b>Canopy</b>	<b>Body</b>	<b>Head</b>									
■ 26 BLK Black	■ 26 BLK Black	■ 26 BLK Black									
■ 71 WH White		■ 61 S GLD Satin Gold									
	<table border="0"> <tr> <td><b>Optional</b></td> <td><b>Finish Panel</b></td> </tr> <tr> <td>■ Add up to 2 acoustic panels 123636XX0</td> <td>■ 82 BL Blue</td> </tr> <tr> <td></td> <td>■ 83 EGP Eggplant</td> </tr> <tr> <td></td> <td>■ 84 SLM Salmon</td> </tr> <tr> <td></td> <td>■ CUSTOM</td> </tr> </table>	<b>Optional</b>	<b>Finish Panel</b>	■ Add up to 2 acoustic panels 123636XX0	■ 82 BL Blue		■ 83 EGP Eggplant		■ 84 SLM Salmon		■ CUSTOM
<b>Optional</b>	<b>Finish Panel</b>										
■ Add up to 2 acoustic panels 123636XX0	■ 82 BL Blue										
	■ 83 EGP Eggplant										
	■ 84 SLM Salmon										
	■ CUSTOM										



Code	Composition includes										
■ L73.1S1D revolta	<ul style="list-style-type: none"> <li>1 linear canopy 113536XX1U</li> <li>1 unit of T-3635C</li> <li>1 unit of T-3636C</li> <li>2 drivers / Dimmable Triac</li> </ul>										
	<table border="0"> <tr> <td><b>Canopy</b></td> <td><b>Body</b></td> <td><b>Head</b></td> </tr> <tr> <td>■ 26 BLK Black</td> <td>■ 26 BLK Black</td> <td>■ 26 BLK Black</td> </tr> <tr> <td>■ 71 WH White</td> <td></td> <td>■ 61 S GLD Satin Gold</td> </tr> </table>	<b>Canopy</b>	<b>Body</b>	<b>Head</b>	■ 26 BLK Black	■ 26 BLK Black	■ 26 BLK Black	■ 71 WH White		■ 61 S GLD Satin Gold	
<b>Canopy</b>	<b>Body</b>	<b>Head</b>									
■ 26 BLK Black	■ 26 BLK Black	■ 26 BLK Black									
■ 71 WH White		■ 61 S GLD Satin Gold									
	<table border="0"> <tr> <td><b>Optional</b></td> <td><b>Finish Panel</b></td> </tr> <tr> <td>■ 1 acoustic panel 123635XX0</td> <td>■ 82 BL Blue</td> </tr> <tr> <td>■ 1 acoustic panel 123636XX0</td> <td>■ 83 EGP Eggplant</td> </tr> <tr> <td></td> <td>■ 84 SLM Salmon</td> </tr> <tr> <td></td> <td>■ CUSTOM</td> </tr> </table>	<b>Optional</b>	<b>Finish Panel</b>	■ 1 acoustic panel 123635XX0	■ 82 BL Blue	■ 1 acoustic panel 123636XX0	■ 83 EGP Eggplant		■ 84 SLM Salmon		■ CUSTOM
<b>Optional</b>	<b>Finish Panel</b>										
■ 1 acoustic panel 123635XX0	■ 82 BL Blue										
■ 1 acoustic panel 123636XX0	■ 83 EGP Eggplant										
	■ 84 SLM Salmon										
	■ CUSTOM										



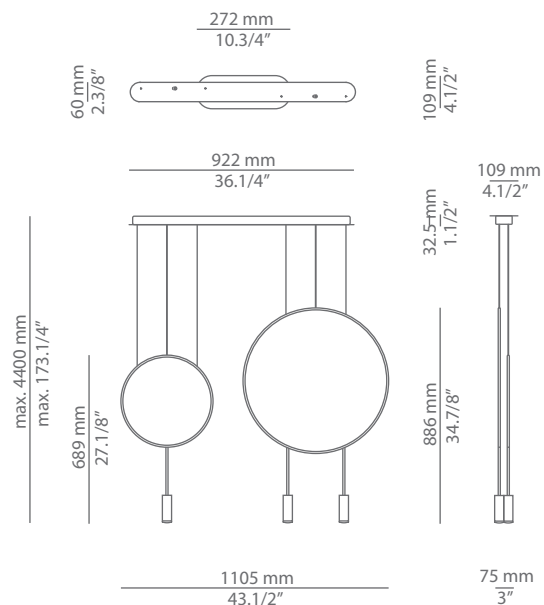
# REVOLTA

T-3635 / T-3636

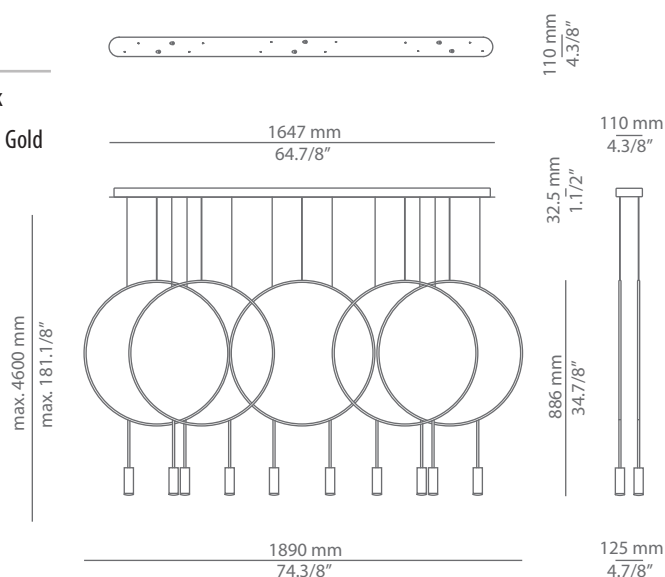
suspension

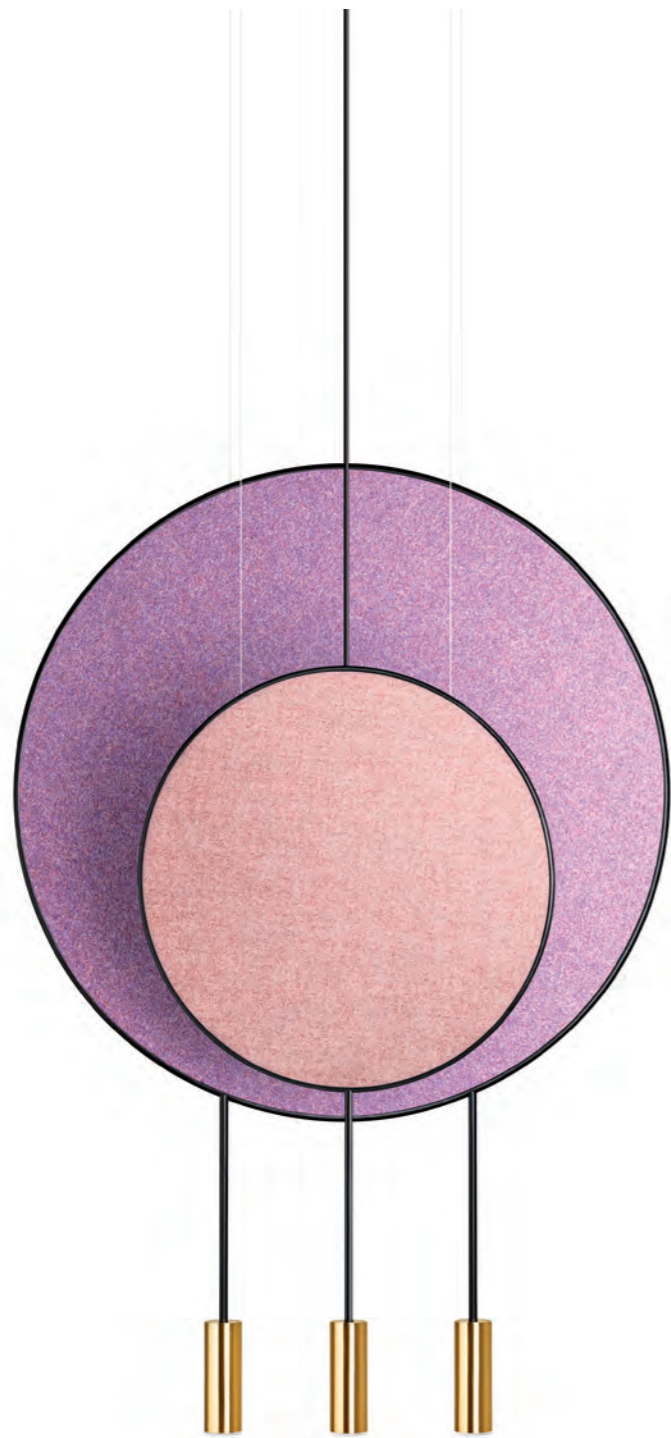
Date	Type
Project	
Location	
Model #	Quantity
Specifier	

Code	Composition includes										
■ L92.1S1D revolta	<ul style="list-style-type: none"> <li>1 linear canopy 113536XX3U</li> <li>1 unit of T-3635C</li> <li>1 unit of T-3636C</li> <li>2 drivers / Dimmable Triac</li> </ul>										
	<table border="0"> <tr> <td><b>Canopy</b></td> <td><b>Body</b></td> <td><b>Head</b></td> </tr> <tr> <td>■ 26 BLK Black</td> <td>■ 26 BLK Black</td> <td>■ 26 BLK Black</td> </tr> <tr> <td>■ 71 WH White</td> <td></td> <td>■ 61 S GLD Satin Gold</td> </tr> </table>	<b>Canopy</b>	<b>Body</b>	<b>Head</b>	■ 26 BLK Black	■ 26 BLK Black	■ 26 BLK Black	■ 71 WH White		■ 61 S GLD Satin Gold	
<b>Canopy</b>	<b>Body</b>	<b>Head</b>									
■ 26 BLK Black	■ 26 BLK Black	■ 26 BLK Black									
■ 71 WH White		■ 61 S GLD Satin Gold									
	<table border="0"> <tr> <td><b>Optional</b></td> <td><b>Finish Panel</b></td> </tr> <tr> <td>■ 1 acoustic panel 123635XX0</td> <td>■ 82 BL Blue</td> </tr> <tr> <td>■ 1 acoustic panel 123636XX0</td> <td>■ 83 EGP Eggplant</td> </tr> <tr> <td></td> <td>■ 84 SLM Salmon</td> </tr> <tr> <td></td> <td>■ CUSTOM</td> </tr> </table>	<b>Optional</b>	<b>Finish Panel</b>	■ 1 acoustic panel 123635XX0	■ 82 BL Blue	■ 1 acoustic panel 123636XX0	■ 83 EGP Eggplant		■ 84 SLM Salmon		■ CUSTOM
<b>Optional</b>	<b>Finish Panel</b>										
■ 1 acoustic panel 123635XX0	■ 82 BL Blue										
■ 1 acoustic panel 123636XX0	■ 83 EGP Eggplant										
	■ 84 SLM Salmon										
	■ CUSTOM										



Code	Composition includes										
■ L165.5D revolta	<ul style="list-style-type: none"> <li>1 linear canopy 113536XX7</li> <li>5 units of T-3636C</li> <li>5 drivers / Dimmable Triac</li> </ul>										
	<table border="0"> <tr> <td><b>Canopy</b></td> <td><b>Body</b></td> <td><b>Head</b></td> </tr> <tr> <td>■ 26 BLK Black</td> <td>■ 26 BLK Black</td> <td>■ 26 BLK Black</td> </tr> <tr> <td>■ 71 WH White</td> <td></td> <td>■ 61 S GLD Satin Gold</td> </tr> </table>	<b>Canopy</b>	<b>Body</b>	<b>Head</b>	■ 26 BLK Black	■ 26 BLK Black	■ 26 BLK Black	■ 71 WH White		■ 61 S GLD Satin Gold	
<b>Canopy</b>	<b>Body</b>	<b>Head</b>									
■ 26 BLK Black	■ 26 BLK Black	■ 26 BLK Black									
■ 71 WH White		■ 61 S GLD Satin Gold									
	<table border="0"> <tr> <td><b>Optional</b></td> <td><b>Finish Panel</b></td> </tr> <tr> <td>■ Add up to 5 acoustic panels 123636XX0</td> <td>■ 82 BL Blue</td> </tr> <tr> <td></td> <td>■ 83 EGP Eggplant</td> </tr> <tr> <td></td> <td>■ 84 SLM Salmon</td> </tr> <tr> <td></td> <td>■ CUSTOM</td> </tr> </table>	<b>Optional</b>	<b>Finish Panel</b>	■ Add up to 5 acoustic panels 123636XX0	■ 82 BL Blue		■ 83 EGP Eggplant		■ 84 SLM Salmon		■ CUSTOM
<b>Optional</b>	<b>Finish Panel</b>										
■ Add up to 5 acoustic panels 123636XX0	■ 82 BL Blue										
	■ 83 EGP Eggplant										
	■ 84 SLM Salmon										
	■ CUSTOM										





<sup>(ENG)</sup> Revolta offers a unique and decorative solution to soften room noise with fabric-covered acoustic panels or recycled P.E.T. felt panels. Revolta can also be used to divide large spaces into discrete areas. <sup>(ESP)</sup> Revolta ofrece una solución única y decorativa para atenuar el ruido de una estancia gracias a sus paneles acústicos forrados de espuma y tejido o P.E.T. reciclado que absorben el sonido. Además, se puede utilizar para dividir grandes espacios en zonas más íntimas.

### Finish Acoustic panel

#### Fabric

- 82 BL Blue
- 83 EGP Eggplant
- 84 SLM Salmon

$\alpha=0.4$

#### P.E.T. felt

- 26 BLK Black

$\alpha=0.25$

### Additional

Sound absorbing panels without light are available upon request.

We offer custom finishes and sizes.

*Photographs may show non-standard products.*

