

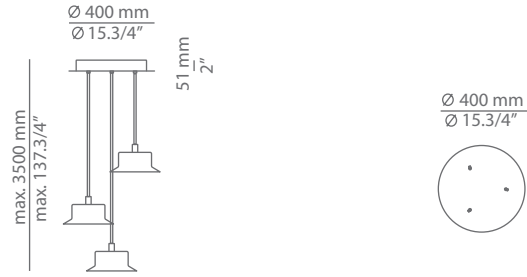
MAINE T-3415LC

suspension

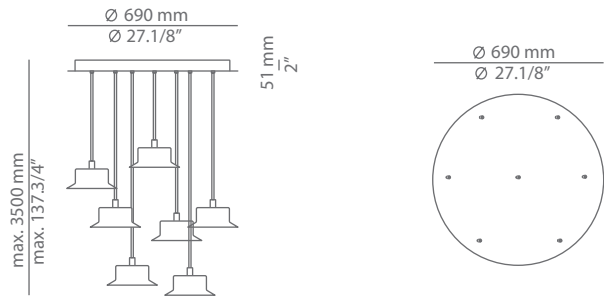
Date	Type
Project	
Location	
Model #	Quantity
Specifier	

Many possible configurations with T-3415LC-W

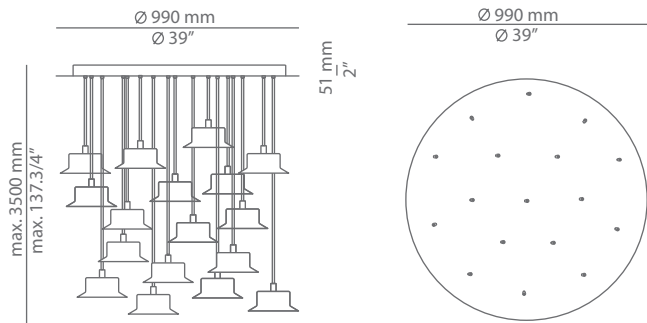
Code	Composition includes																
<ul style="list-style-type: none"> ■ R40.3S maine 	<ul style="list-style-type: none"> ■ 1 round canopy 113415XX6 ■ 3 units of T-3415LC-W <table border="1" style="width: 100%; margin-top: 10px;"> <thead> <tr> <th colspan="2">Canopy</th> <th colspan="2">Finish</th> </tr> </thead> <tbody> <tr> <td>■ 26 BLK</td> <td>Black</td> <td>■ 26 BLK</td> <td>Black</td> </tr> <tr> <td>■ 71 WH</td> <td>White</td> <td>■ 44 CP</td> <td>Copper</td> </tr> <tr> <td></td> <td></td> <td>■ CUSTOM</td> <td></td> </tr> </tbody> </table>	Canopy		Finish		■ 26 BLK	Black	■ 26 BLK	Black	■ 71 WH	White	■ 44 CP	Copper			■ CUSTOM	
Canopy		Finish															
■ 26 BLK	Black	■ 26 BLK	Black														
■ 71 WH	White	■ 44 CP	Copper														
		■ CUSTOM															



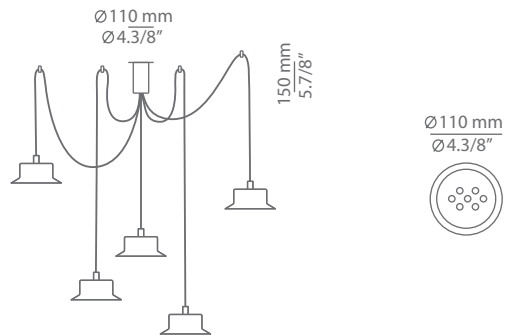
Code	Composition includes																
<ul style="list-style-type: none"> ■ R70.7S maine 	<ul style="list-style-type: none"> ■ 1 round canopy 113415XX4 ■ 7 units of T-3415LC-W <table border="1" style="width: 100%; margin-top: 10px;"> <thead> <tr> <th colspan="2">Canopy</th> <th colspan="2">Finish</th> </tr> </thead> <tbody> <tr> <td>■ 26 BLK</td> <td>Black</td> <td>■ 26 BLK</td> <td>Black</td> </tr> <tr> <td>■ 71 WH</td> <td>White</td> <td>■ 44 CP</td> <td>Copper</td> </tr> <tr> <td></td> <td></td> <td>■ CUSTOM</td> <td></td> </tr> </tbody> </table>	Canopy		Finish		■ 26 BLK	Black	■ 26 BLK	Black	■ 71 WH	White	■ 44 CP	Copper			■ CUSTOM	
Canopy		Finish															
■ 26 BLK	Black	■ 26 BLK	Black														
■ 71 WH	White	■ 44 CP	Copper														
		■ CUSTOM															



Code	Composition includes																
<ul style="list-style-type: none"> ■ R100.17S maine 	<ul style="list-style-type: none"> ■ 1 round canopy 113415XX5 ■ 17 units of T-3415LC-W <table border="1" style="width: 100%; margin-top: 10px;"> <thead> <tr> <th colspan="2">Canopy</th> <th colspan="2">Finish</th> </tr> </thead> <tbody> <tr> <td>■ 26 BLK</td> <td>Black</td> <td>■ 26 BLK</td> <td>Black</td> </tr> <tr> <td>■ 71 WH</td> <td>White</td> <td>■ 44 CP</td> <td>Copper</td> </tr> <tr> <td></td> <td></td> <td>■ CUSTOM</td> <td></td> </tr> </tbody> </table>	Canopy		Finish		■ 26 BLK	Black	■ 26 BLK	Black	■ 71 WH	White	■ 44 CP	Copper			■ CUSTOM	
Canopy		Finish															
■ 26 BLK	Black	■ 26 BLK	Black														
■ 71 WH	White	■ 44 CP	Copper														
		■ CUSTOM															



Code	Composition includes																				
<ul style="list-style-type: none"> ■ M5S maine 	<ul style="list-style-type: none"> ■ 1 multipoint canopy 113415XX2 ■ 5 units of T-3415LC-W ■ 5 ceiling holders ■ Add up to 2 additional Maine <table border="1" style="width: 100%; margin-top: 10px;"> <thead> <tr> <th colspan="2">Canopy</th> <th colspan="2">Finish</th> </tr> </thead> <tbody> <tr> <td>■ 44 CP</td> <td>Copper</td> <td>■ 44 CP</td> <td>Copper</td> </tr> <tr> <td>■ 26 BLK</td> <td>Black</td> <td>■ 26 BLK</td> <td>Black</td> </tr> <tr> <td>■ 71 WH</td> <td>White</td> <td>■ 44 CP</td> <td>Copper</td> </tr> <tr> <td></td> <td></td> <td>■ CUSTOM</td> <td></td> </tr> </tbody> </table>	Canopy		Finish		■ 44 CP	Copper	■ 44 CP	Copper	■ 26 BLK	Black	■ 26 BLK	Black	■ 71 WH	White	■ 44 CP	Copper			■ CUSTOM	
Canopy		Finish																			
■ 44 CP	Copper	■ 44 CP	Copper																		
■ 26 BLK	Black	■ 26 BLK	Black																		
■ 71 WH	White	■ 44 CP	Copper																		
		■ CUSTOM																			



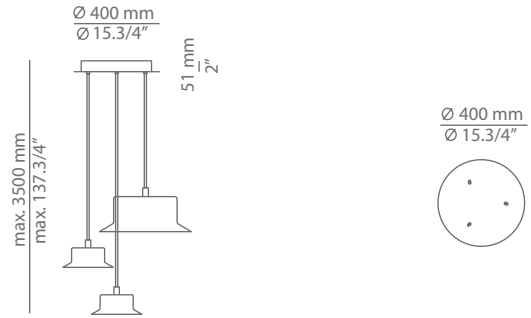
MAINE

T-3415LC / T-3416LC
suspension

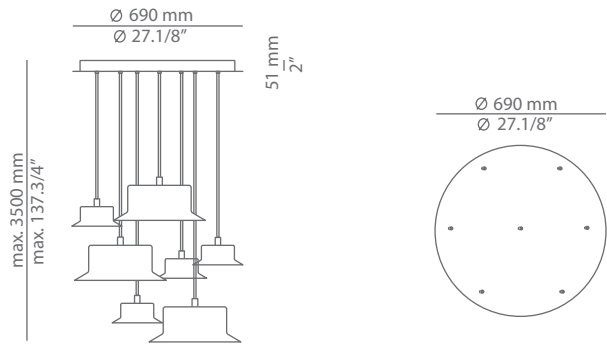
Date	Type
Project	
Location	
Model #	Quantity
Specifier	

Many possible configurations with T-3415LC-W and T-3416LC-W

Code	Composition includes								
■ R40.2S1M maine	<ul style="list-style-type: none"> ■ 1 round canopy 113415XX6 ■ 2 units of T-3415LC-W ■ 1 units of T-3416LC-W 								
	<table border="0"> <tr> <td style="border-right: 1px solid black;">Canopy</td> <td>Finish</td> </tr> <tr> <td style="border-right: 1px solid black;">■ 26 BLK Black</td> <td>■ 26 BLK Black</td> </tr> <tr> <td style="border-right: 1px solid black;">■ 71 WH White</td> <td>■ 44 CP Copper</td> </tr> <tr> <td style="border-right: 1px solid black;"></td> <td>■ CUSTOM</td> </tr> </table>	Canopy	Finish	■ 26 BLK Black	■ 26 BLK Black	■ 71 WH White	■ 44 CP Copper		■ CUSTOM
Canopy	Finish								
■ 26 BLK Black	■ 26 BLK Black								
■ 71 WH White	■ 44 CP Copper								
	■ CUSTOM								



Code	Composition includes								
■ R70.4S3M maine	<ul style="list-style-type: none"> ■ 1 round canopy 113415XX4 ■ 4 units of T-3415LC-W ■ 3 units of T-3416LC-W 								
	<table border="0"> <tr> <td style="border-right: 1px solid black;">Canopy</td> <td>Finish</td> </tr> <tr> <td style="border-right: 1px solid black;">■ 26 BLK Black</td> <td>■ 26 BLK Black</td> </tr> <tr> <td style="border-right: 1px solid black;">■ 71 WH White</td> <td>■ 44 CP Copper</td> </tr> <tr> <td style="border-right: 1px solid black;"></td> <td>■ CUSTOM</td> </tr> </table>	Canopy	Finish	■ 26 BLK Black	■ 26 BLK Black	■ 71 WH White	■ 44 CP Copper		■ CUSTOM
Canopy	Finish								
■ 26 BLK Black	■ 26 BLK Black								
■ 71 WH White	■ 44 CP Copper								
	■ CUSTOM								



Code	Composition includes								
■ R100.7S4M maine	<ul style="list-style-type: none"> ■ 1 round canopy 113415XX5 ■ 7 units of T-3415LC-W ■ 4 units of T-3416LC-W 								
	<table border="0"> <tr> <td style="border-right: 1px solid black;">Canopy</td> <td>Finish</td> </tr> <tr> <td style="border-right: 1px solid black;">■ 26 BLK Black</td> <td>■ 26 BLK Black</td> </tr> <tr> <td style="border-right: 1px solid black;">■ 71 WH White</td> <td>■ 44 CP Copper</td> </tr> <tr> <td style="border-right: 1px solid black;"></td> <td>■ CUSTOM</td> </tr> </table>	Canopy	Finish	■ 26 BLK Black	■ 26 BLK Black	■ 71 WH White	■ 44 CP Copper		■ CUSTOM
Canopy	Finish								
■ 26 BLK Black	■ 26 BLK Black								
■ 71 WH White	■ 44 CP Copper								
	■ CUSTOM								

