

BOLS

T-4025X
suspension lamp

Date	Type
Project	
Location	
Model #	Quantity
Specifier	

Description

Aluminium suspension lamp with polyethylene shade and integral dimmable LED. Double-layer coating for high resistance to corrosion and other environmental conditions.
Adjustable height.



Pictures above might not show the specified dimensions or material. They are for illustration purposes only.

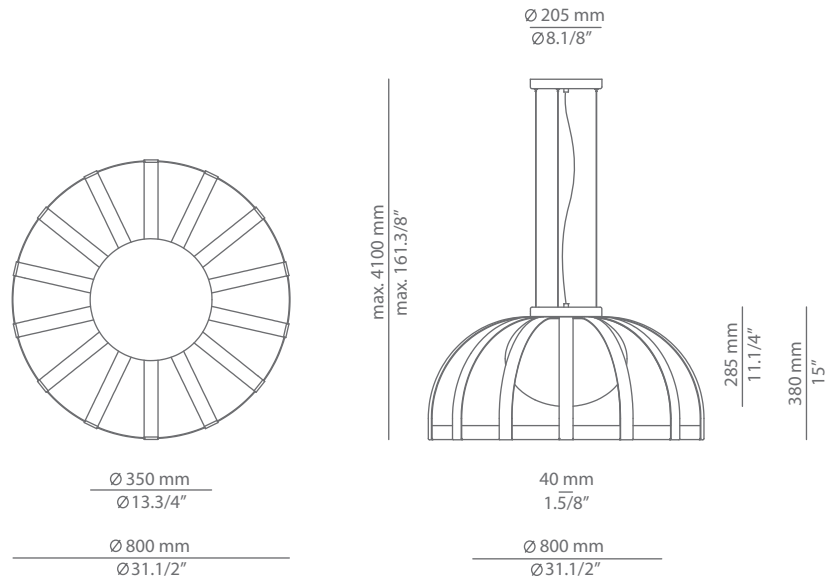
Ordering information

Product Code	Lamp	Finish
T-4025X	LED 10W (led included) (2700K / Ang 120° / >80 CRI) 120V / Typ* 820 lumens Dimmable Triac	<ul style="list-style-type: none"> 96 BLK ANT Black Anthracite 55 BG Beige 78 OX RD Oxide Red CUSTOM

SPECIAL REQUIREMENTS

Custom finishes and versions

We offer custom plated or RAL finishes and shades.
Alternate lamping and sizes available for projects.
Consult our offices.



Special instructions
