

BOLS

t-4022X
ceiling light

Date	Type
Project	
Location	
Model #	Quantity
Specifier	

Description

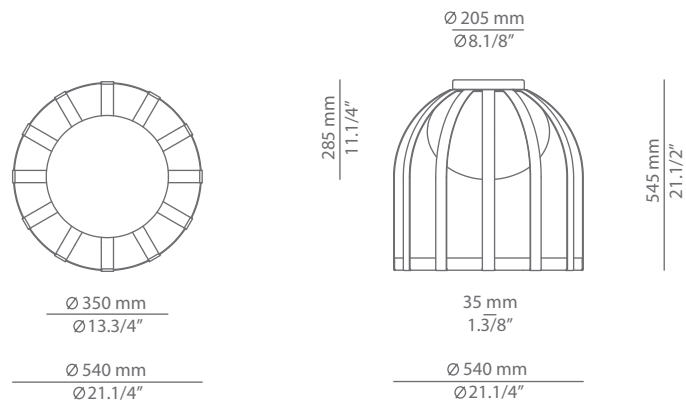
Aluminium ceiling light with polyethylene shade and integrated dimmable LED. Double layer coating for high resistance to corrosion and other maritime environmental conditions.



Pictures above might not show the specified dimensions or material. They are for illustration purposes only.

Ordering information

Product Code	Lamp	Finish								
t-4022X	LED 10W (led included) F (2700K / Ang 120° / >90 CRI) 230V / Typ* 730 lumens Dimmable Triac	<table border="0"> <tr> <td>96 BLK ANT</td> <td>Black Anthracite</td> </tr> <tr> <td>55 BG</td> <td>Beige</td> </tr> <tr> <td>78 OX RD</td> <td>Oxide Red</td> </tr> <tr> <td>CUSTOM</td> <td></td> </tr> </table>	96 BLK ANT	Black Anthracite	55 BG	Beige	78 OX RD	Oxide Red	CUSTOM	
96 BLK ANT	Black Anthracite									
55 BG	Beige									
78 OX RD	Oxide Red									
CUSTOM										



SPECIAL REQUIREMENTS

Custom finishes and versions

We offer custom plated or RAL finishes and shades. Alternate lamping and sizes available for projects. Consult our offices.

Special instructions
