

# ALFI

A-3741  
wall light

Date	Type
Project	
Location	
Model #	Quantity
Specifier	

## Description

Metallic wall light providing direct and indirect light.  
Optional laser cut signage.  
Glass shade with cap at 45°.  
Remote driver included.



Pictures above might not show the specified dimensions or material. They are for illustration purposes only.

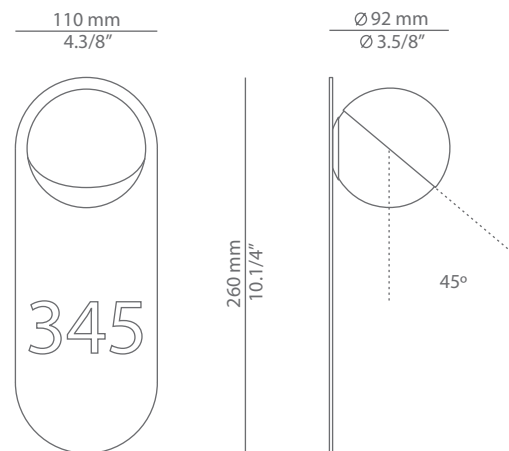
## Ordering information

Product Code	Lamp	Finish
A-3741	LED 3W (integrated LED) (2700K / Ang 120° / >90 CRI / 24V) 100V - 277V / Typ* 300 lumens Remote driver / Dimmable Triac	<ul style="list-style-type: none"> <li><span style="display: inline-block; width: 15px; height: 15px; background-color: #333; margin-right: 5px;"></span> 26 BLK    Black</li> <li><span style="display: inline-block; width: 15px; height: 15px; background-color: #ccc; margin-right: 5px;"></span> 20 GLD M    Gold matt</li> <li><span style="display: inline-block; width: 15px; height: 15px; background-color: #ccc; margin-right: 5px;"></span> CUSTOM</li> </ul>

## Product includes

Code	Description
671000063	1 remote driver / Dimmable Triac

Ø 60 mm drill on dry wall



## SPECIAL REQUIREMENTS

### Custom finishes and versions

We offer custom plated and RAL finishes.

Alternate lamping and sizes available for projects. Consult our offices.

### Special instructions

---



---