

TA.001

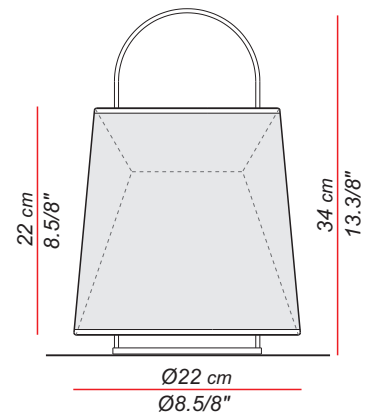
Typology: Wall lamp

Description / Descripción

- **Portable table lamp.**
- **Lamp without cables. Rechargeable LED lighting system**
- **Lampshade made of a perforated composite membrane, completely suitable for outdoor and 100% recyclable.**
- **Luminaire suitable for outdoor use. IP66**

- *Modelo de sobremesa portátil.*
- *Luminaria sin cables. Fuente de luz LED recargable.*
- *Pantalla de membrana composite perforada, totalmente apta para exterior y 100% reciclable.*
- *Apto para exteriores. IP66.*

General measures / Medidas generales



Rechargeable LED module

Módulo LED recargable

- ▶ LED 2.5W / 2700K / 290lm
- ▶ Battery autonomy: 7h (at peak performance)
- ▶ LED dimmer: 10% / 50% / 100%
- ▶ Remote control.
- ▶ Switch (ON/OFF) on the LED module.
- ▶ Induction charging system. 800mA.
- ▶ Battery charging time: 4h
- ▶ Led module suitable for outdoor use. **IP66**

- ▶ *LED 2.5W / 2700K / 290lm*
- ▶ *Autonomía de 7h (funcionando al 100%)*
- ▶ *3 intensidades del luz: 10% / 50% / 100%*
- ▶ *Sistema de control por mando a distancia*
- ▶ *Interrupor táctil ON/OFF en la base del módulo*
- ▶ *Sistema de carga por inducción 800mA*
- ▶ *Tiempo de carga: 4h*
- ▶ *Apto para exterior: **IP66***

Packaging / Embalaje

1 box

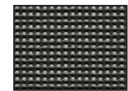
25x25x45 cm / 0,03 m³
10"x10"x18" / 1 ft³

Peso neto: 1,6 Kg
Net weight: 3,5 lb

Features & finishings / Características

Outer lampshade
Pantalla exterior

Inner lampshades
Pantallas interiores



Perforated composite membrane
Membrana composite perforada

Structure
Estructura

Lacquered metal
Metal lacada

Certifications:



IP66



luminaria



cargador

Suitable for outdoor use / Apta para uso exterior