

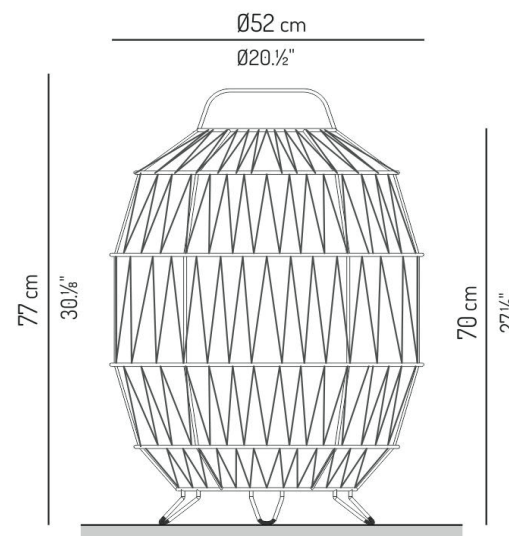
Indoor & Outdoor

BM.F052.14 / BM.F152.14

Typology: Floor / Pie

Description / Descripción

- Floor lamp with metal structure treated for outdoors.
- Braided with double acrylic cord suitable for outdoor use with UV treatment.
- Available in several colors.
- *Indoor and outdoor (IP54) versions.*
- *Luminaria de pie con estructura metálica tratada para exteriores.*
- *Trenzada con doble cordón acrílico apto para el exterior con tratamiento UV.*
- *Disponible en varios colores.*
- *Florón metálico lacado negro.*
- *Versión para interior y exterior (IP54)*



Light Source / Fuente de luz

220-230V / 50-60Hz
120V / 60Hz (USA)

European version

BM.F052.14
indoor

LED 10W 230V 2700K 880lm
Dimmable TRIAC



BM.F152.14
outdoor

LED 10W 230V 2700K 880lm
Dimmable TRIAC



USA version

TUS.BM.F052.14
indoor

LED 10W 120V 2700K 880lm
Dimmable TRIAC



TUS.BM.F052.14
outdoor

LED 10W 120V 2700K 880lm
Dimmable TRIAC



LED module included / módulo LED incluido

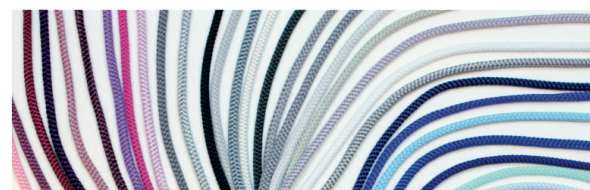
Packaging / Embalaje

1 box

60x60x82 cm / 0,30 m³
24"x24"x32" / 10,6 ft³

Peso neto: 4 Kg
Net weight: 8,8 lb

Materials & Finishings / Materiales y acabados



Lampshade with double braided cord

For available colors check general catalogue



Black lacquered structure

Estructura lacada en negro.

Black foot switch

Interruptor de pie en negro

Certifications:



IP20
(indoor)

IP65
(outdoor)

USA Certifications:



Wet Location

(indoor)

(outdoor)

(PENDING)

Suitable for outdoor use / Apta para uso exterior

Indoor & Outdoor

BM.F070.14 / BM.F170.14

Typology: Floor / Pie

Description / Descripción

- Floor lamp with metal structure treated for outdoors.
- Braided with double acrylic cord suitable for outdoor use with UV treatment.
- Available in several colors.
- *Indoor and outdoor (IP54) versions.*
- *Luminaria de pie con estructura metálica tratada para exteriores.*
- *Trenzada con doble cordón acrílico apto para el exterior con tratamiento UV.*
- *Disponible en varios colores.*
- *Florón metálico lacado negro.*
- *Versión para interior y exterior (IP54)*

Light Source / Fuente de luz

220-230V / 50-60Hz
120V / 60Hz (USA)

European version

BM.F070.14
indoor



LED 15W 230V 2700K 1200lm
Dimmable TRIAC



BM.F170.14
outdoor



LED 15W 230V 2700K 1200lm
Dimmable TRIAC



USA version

TUS.BM.F070.14
indoor



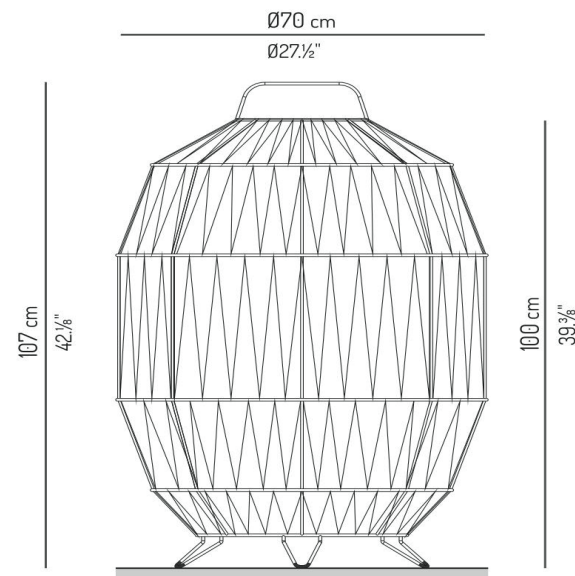
LED 15W 120V 2700K 1200lm
Dimmable TRIAC

TUS.BM.F170.14
outdoor



LED 15W 120V 2700K 1200lm
Dimmable TRIAC

LED module included / módulo LED incluido



Packaging / Embalaje

1 box

95x94x50 cm / 0,45 m³
38"x37"x8" / 15,9 ft³

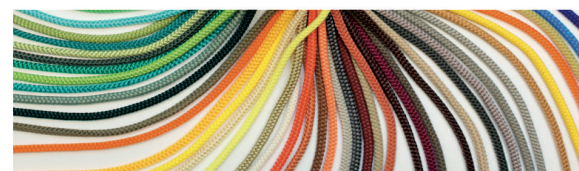
Peso neto: 5,5 Kg
Net weight: 12 lb

Materials & Finishings / Materiales y acabados



Lampshade with double braided cord

For available colors check general catalogue



Black lacquered structure

Estructura lacada en negro.

Black foot switch

Interruptor de pie en negro

Certifications:



IP20
(indoor)

IP65
(outdoor)

USA Certifications:



Wet Location

(indoor) (outdoor)

(PENDING)

Suitable for outdoor use / Apta para uso exterior