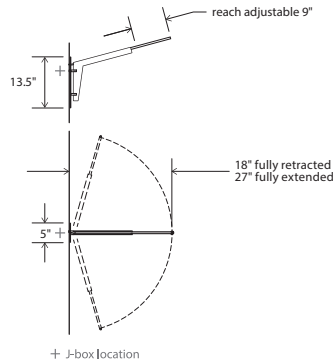




**Motus Swing Arm Bracket**  
accessory

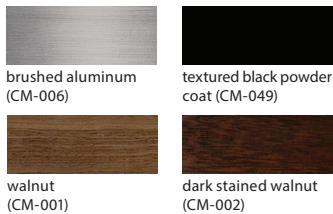


Dimensions: 18.38" x 5" x 26.8"  
 Materials: solid wood, metal  
 Product weight: 3 lb  
 Max suspension weight: 5 lb  
 Swing arm length can be adjusted from 18" to 27"  
 Max drop length from tip of extended arm to top of pendant is 36"  
 Swing arm rotation has adjustable resistance in pivot hinge  
 Wood grain will vary  
 Specifications subject to change  
 Patent pending



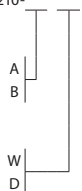
**MATERIAL & FINISH OPTIONS**

Motus Swing Arm Bracket part # 60-210-



**Metal Finish**  
 brushed aluminum (CM-006)  
 textured black powdercoat (CM-049)

**Wood Body**  
 walnut (CM-001)  
 dark stained walnut (CM-002)



**HOW IT WORKS: BUILD YOUR OWN FIXTURE**

Pick one of the pendants listed below and pair it with the Motus Swing Arm Bracket for a unique and versatile light fixture. To order, you will need to select a SKU for the pendant that you choose and a SKU for the Motus Swing Arm Bracket. The SKU builder for the Motus Swing Arm Bracket is above, and the SKU builders for the pendants are located on their respective tear sheets.



Motus with Plura 18 Pendant  
 Pendant dimensions: 18" Ø, 6.4"  
 Lamping: 2x GU-24 base socket, 18 W max each  
 See Plura 18 Pendant for more information



Motus with Claudio Pendant  
 Pendant dimensions: 5" x 5", 7.25"  
 Light source: integrated LED  
 See Claudio accent pendant for more information



Motus with Mica Pendant  
 Pendant dimensions: 9" Ø, 5.75"  
 Light source: integrated LED  
 See Calx 10 accent pendant for more information



Motus with Calx 10 Pendant  
 Pendant dimensions: 6.75" x 6.75" x 6.4"  
 Light source: integrated LED  
 See Calx 10 accent pendant for more information



Motus with Levis Pendant  
 Pendant dimensions: 5.3" Ø, 5.5"  
 Light source: integrated LED  
 See Levis accent pendant for more information



Motus with Salix Pendant  
 Pendant dimensions: 7.5" x 7.5", 9.0"  
 Light source: integrated LED  
 See Salix accent pendant for more information



The Talea pictured to the left is a stand alone fixture that also utilizes our swing arm bracket.  
 Shade dimensions: 15" Ø, 9.0"  
 Lamping: medium base E26 socket, type A lamp, 60 W max  
 For additional finishes and full specifications see Talea - articulate wall sconce