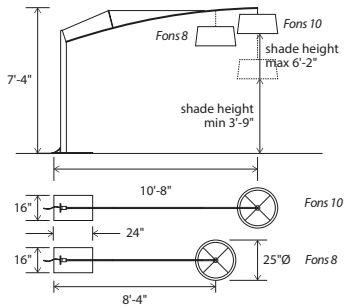


Fons 8 / Fons 10
floor



Dimensions: 25" Ø shade, 7'-4"

Materials: solid wood, metal, linen shade

Product weight: 65 lb

Light source: medium base E26 socket

Lamping: E26 base, type A lamp, 60 W max

Input voltage: 120 V AC max

Includes 72" clear silver cord with

inline foot switch 24" from base

Bottom diffuser included (CM-051)

Wood grain will vary

Specifications subject to change



Included dimmable LED A19 bulb

Light output: 800 Lumens (source)

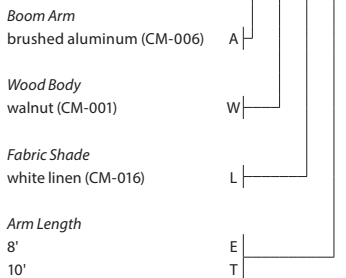
Light color: 2700 K

Color accuracy: 90+ CRI

Power usage: 11 W

MATERIAL & FINISH OPTIONS

Fons part # 05-600- A W L



- Includes stainless steel tension cable (CM-053)
- black powder coated steel base (CM-049)
- frosted polymer diffuser (CM-051)

Alternate voltage/plug styles are available



ARM LENGTH
Available in 10'-8" and 8'-4" arm lengths
Arm length is from back of base to center of shade
Arm lengths are not adjustable

SHADE HEIGHT
Shade height (floor to bottom edge of shade)
can be adjusted between 6'-2" maximum and
3'-9" minimum.

The goal with the Fons was to minimize the structure and visual massing of the fixture while maximizing the reach or cantilever. The delicate boom arm, upheld by a tension cable, gently bends while reaching out to almost horizontal where it suspends the light. The structural design is an extremely effective way to resolve the forces associated with such a long reach. It is so effective and efficient that it seems to float with a weightlessness at the tip.

Nick Sheridan
Designer

