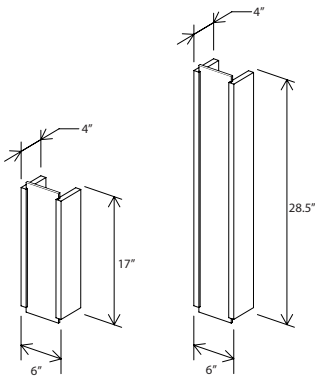


Capio S / Capio L  
sconce



Dimensions Capio S - 17" X 6" X 4"

Dimensions Capio L - 28.5" X 6" X 4"

Solid wood, frosted polymer (CM-024)

Product weight Capio S - 4 lbs

Product weight Capio L - 7 lbs

Energy efficient LED light source

Light output Capio S - 500 lumens

Light output Capio L - 1000 lumens

Light color Capio S & Capio L - 2700 K (warm)

Color accuracy Capio S & Capio L - 90+ CRI

LED power consumption Capio S - 7 Watts

Requires space in J-box for included external LED driver

Driver dimensions Capio S - 3.25" X 1.25" X .75"

LED power consumption Capio L - 14 Watts

Driver dimensions Capio L - 3" X 1.5" X 1"

Dimmable (TRIAC, ELV, 0-10V)

ADA compliant hotel room signage with tactile numbering and corresponding braille available.

Wood grain will vary

Specifications subject to change



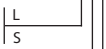
MATERIAL & FINISH OPTIONS

Capio Sconce part # 03-180

Size:

Capio L (Long)

Capio S (short)

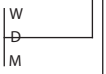


Wood Body:

walnut (CM-001)

dark stained walnut (CM-002)

maple (CM-005)



Voltage:

120 (leave blank)

230

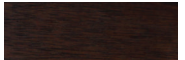
277



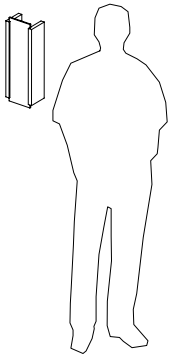
Emergency backup option available upon request

J-box centered behind fixture

Non-pictured finish option



Dark Stained Walnut  
(CM-002)



*The Capio is an exercise in restraint and efficiency consisting of just two solid wood sides that capture a single light diffusing lens. The clean and simple design allows for horizontal or vertical mounting as well as compelling compositions when used in multiples.*

Nick Sheridan  
Designer

©2016 Cerno, L.L.C. All Rights Reserved. The Cerno graphic is a registered trademark of cerno, L.L.C. Cerno reserves the right to change specifications for product improvements without notification.



Capio S, walnut



Capio L, walnut



Capio S, maple



Capio S, maple