



Product Specification Sheet

BuzziShade Standing 110-120V

— By Stal Collectief

Standing lighting element in BuzziFelt

BuzziShade Standing offers decorative lighting and reduces external noise levels to a minimum. BuzziShade is extremely versatile. The standing version is ideal to add in any waiting room, hotel lobby or even at home to create that perfect hideaway.



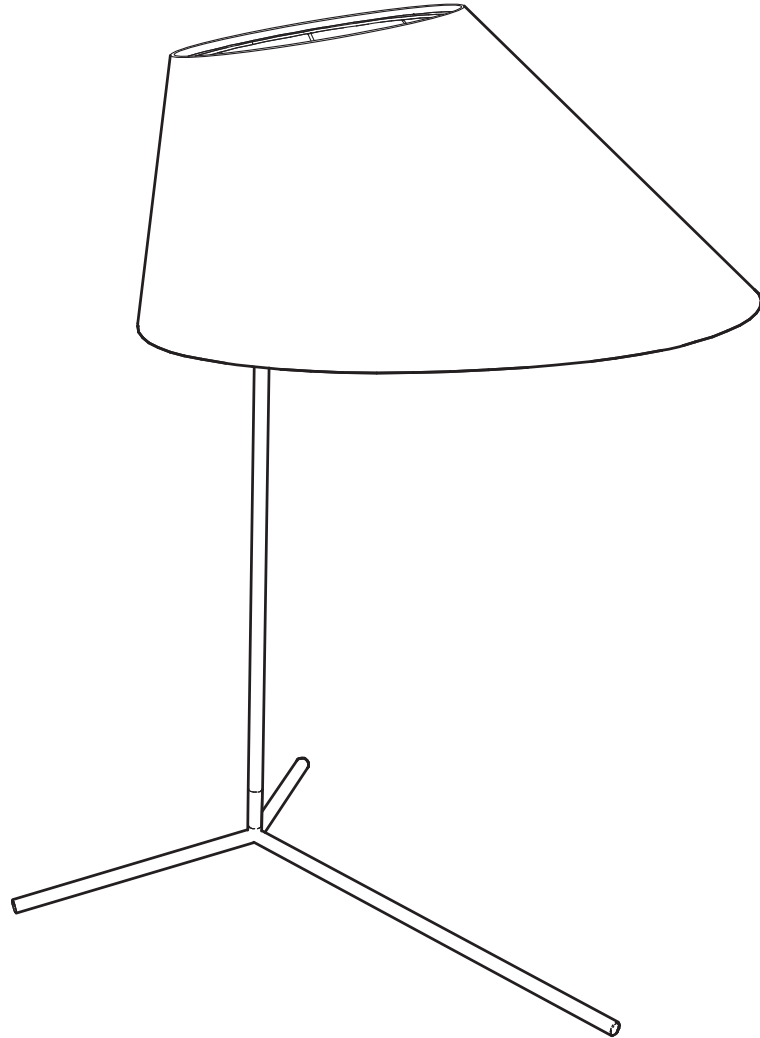
The Family

Model

BuzziShade Standing

Lighting Unit

Retrofit E26
(bulb excluded)



Required order information

1. Color Frame
2. BuzziFelt Color
3. Color Lace

Lighting Data

Lighting Unit

Retrofit Lighting unit

Retrofit E26 bulb excluded, Max 100W.



Product Data

Acoustic Shade



The acoustic shade consists of one layer of BuzziFelt with a lace in black or white.



Absorption



Mid tone



High tone

Frame and Power Cord



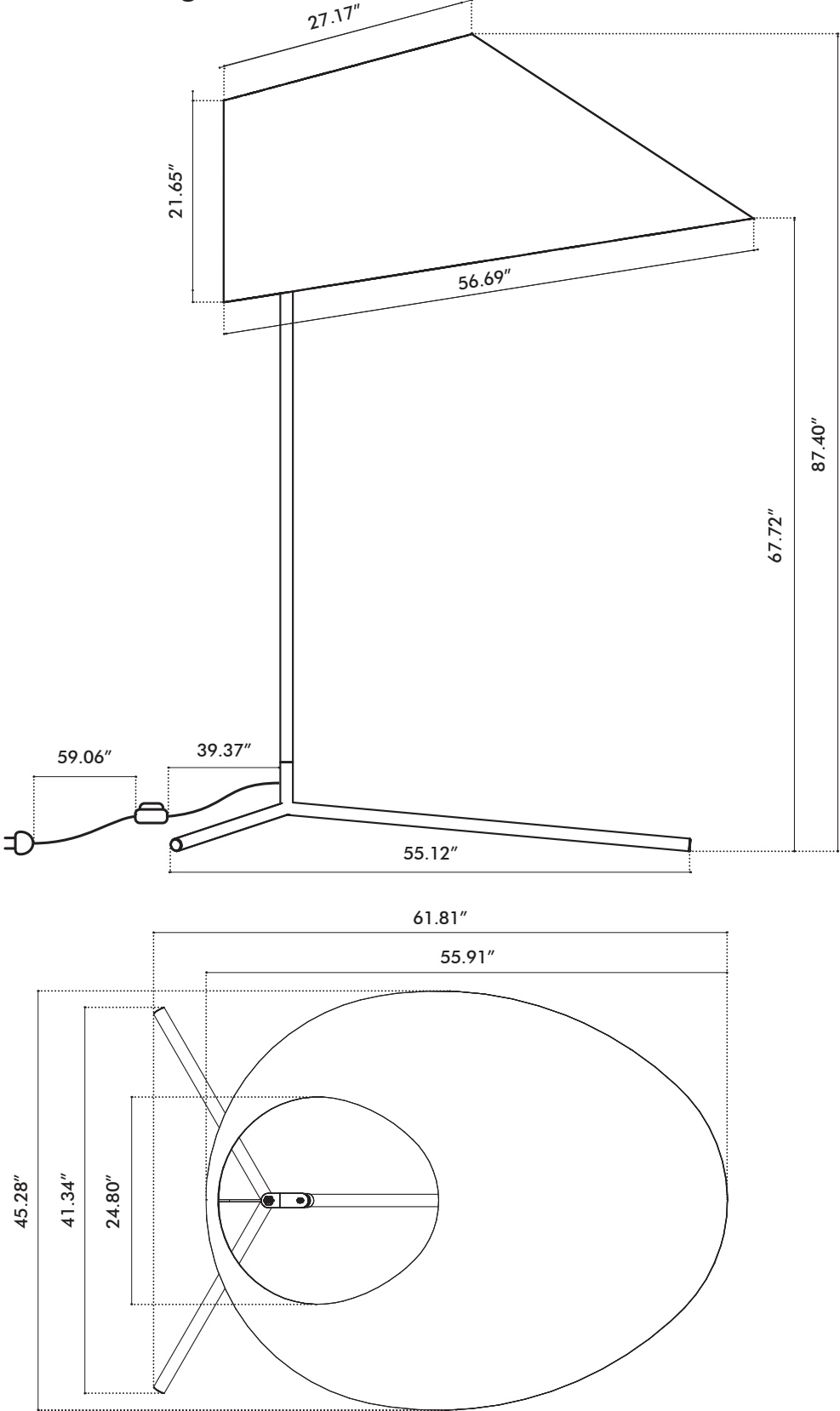
The powder coated metal frame of BuzziShade Standing is available in 2 colors: white (RAL 9010) or black (RAL 9005).

The fabric power cord has a length of 98.43" finished with a plug and black footswitch.

Color frame	Color fitting	Color fabric power cord
black	black	black
white	white	red

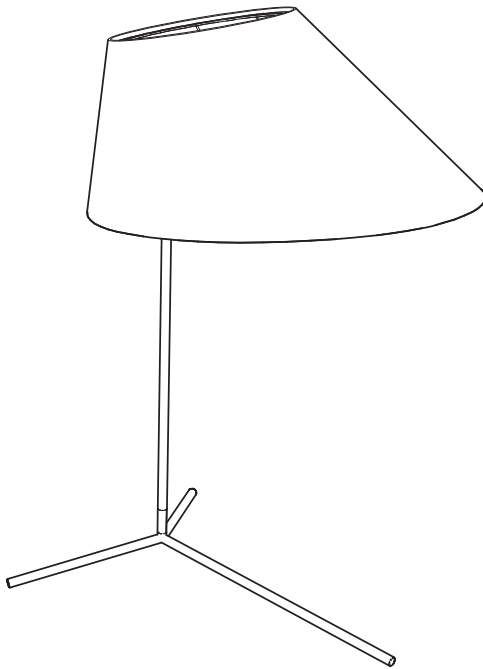
Dimensions

BuzziShade Standing



Weights

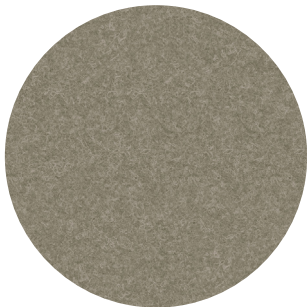
BuzziShade Standing



 39.68 lbs

Fabrics

Felt (12 colors)



Composition 100% Recycled PE.T. Felt, latex backing

Weight 1.000 g/m² | 29.49 oz/yd²

Abrasion resistance >7.000 Martindale

Flammability EU: EN 13501.1 + A1/2009 Class B-s1,d0
USA: ASTM E84 Class A certified

Fastness to light USA 5

