



Product Specification Sheet

BuzziHat 120-277V

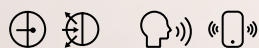
— By Alain Gilles

Say goodbye to noisy environments with BuzziHat

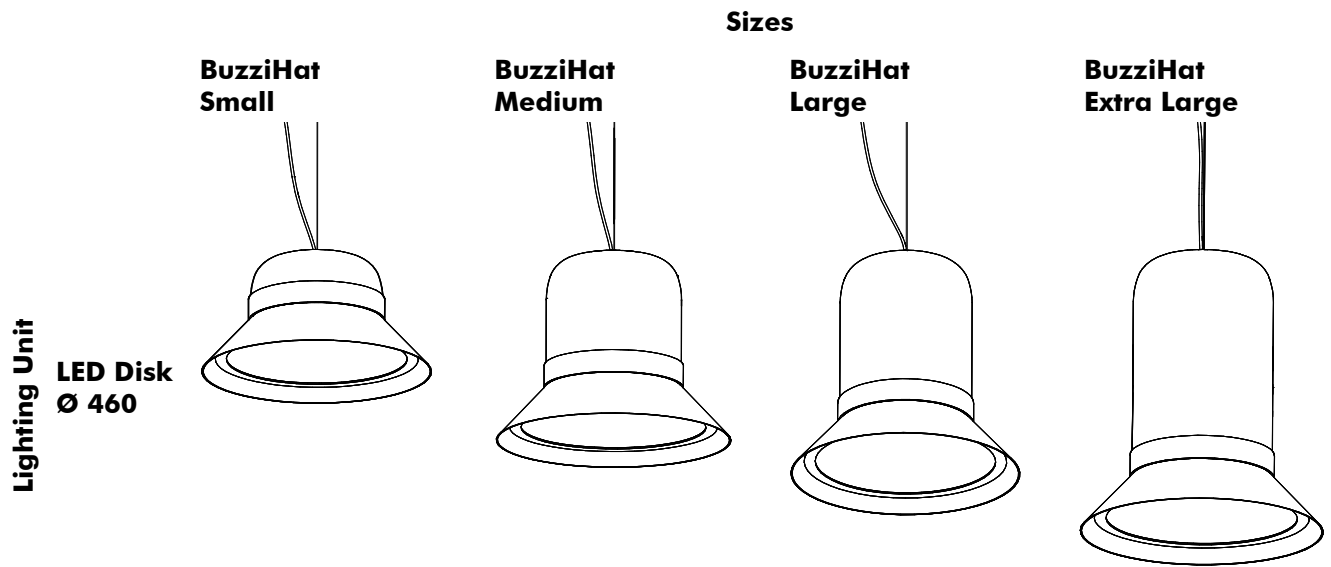
A decorative and highly recognizable hat-shaped pendant light with excellent sound absorption capabilities.

Its unique design, combining an upholstered part with a metal shade is bound to steal the attention in any space.

The upholstered foam body is available in a wide palette of color and fabric combinations, while the metal shade and ring come in 4 finishes (black, white, beige red and gold). Mix colors of your choosing and match the fabric of BuzziHat with the color of your furniture to create an impeccable setting. BuzziHat is available in different sizes to fit different sonic environments which makes it the ultimate acoustic lighting for any office, lobby or restaurant that needs acoustic absorption treatment combined with high-quality lighting.



The Family



Required order information

1. Size
2. Fabric (CAT -> Collection -> Color)
3. Color Metal Shade
4. Color Decorative Ring
5. Mounting Option

Lighting Data

Lighting Unit



The PMMA diffuser ensures an optimal light spread and efficiency. It creates a very diffuse light surface without any dottiness.

Lighting specifications

BuzziHat Small

| Lighting Unit | Voltage | Wattage | Light Output Luminaire | Efficacy (Lm/W) | CRI | Dimming | Color Temperature | UGR | Standard (stock) On request (>LT) | Color Power Cable | Color Ceiling Canopy | Color Metal Shade and Ring | Fabric Collection | Fabric Color | Mounting Option |
|---------------|----------|---------|------------------------|-----------------|-----|---------|-------------------|-----|-----------------------------------|-------------------|----------------------|-------------------------------|-----------------------|-----------------------|--|
| LED Disk Ø460 | 120-277V | 26W | 2000 Lm | 77 | 80 | 1-10V | 3000K | 20 | Standard | Transparent | White | Black, White, Beige Red, Gold | Use color codes below | Use color codes below | 1 cable of 78.74" Alu or Black 1 cables of 196.85" Alu or Black |

BuzziHat Medium

| Lighting Unit | Voltage | Wattage | Light Output Luminaire | Efficacy (Lm/W) | CRI | Dimming | Color Temperature | UGR | Standard (stock) On request (>LT) | Color Power Cable | Color Ceiling Canopy | Color Metal Shade and Ring | Fabric Collection | Fabric Color | Mounting Option |
|---------------|----------|---------|------------------------|-----------------|-----|---------|-------------------|-----|-----------------------------------|-------------------|----------------------|-------------------------------|-----------------------|-----------------------|--|
| LED Disk Ø460 | 120-277V | 26W | 2000 Lm | 77 | 80 | 1-10V | 3000K | 20 | Standard | Transparent | White | Black, White, Beige Red, Gold | Use color codes below | Use color codes below | 1 cable of 78.74" Alu or Black 1 cables of 196.85" Alu or Black |

BuzziHat Large

| Lighting Unit | Voltage | Wattage | Light Output Luminaire | Efficacy (Lm/W) | CRI | Dimming | Color Temperature | UGR | Standard (stock) On request (>LT) | Color Power Cable | Color Ceiling Canopy | Color Metal Shade and Ring | Fabric Collection | Fabric Color | Mounting Option |
|---------------|----------|---------|------------------------|-----------------|-----|---------|-------------------|-----|-----------------------------------|-------------------|----------------------|-------------------------------|-----------------------|-----------------------|--|
| LED Disk Ø460 | 120-277V | 26W | 2000 Lm | 77 | 80 | 1-10V | 3000K | 20 | Standard | Transparent | White | Black, White, Beige Red, Gold | Use color codes below | Use color codes below | 1 cable of 78.74" Alu or Black 1 cables of 196.85" Alu or Black |

BuzziHat Extra Large

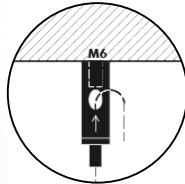
| Lighting Unit | Voltage | Wattage | Light Output Luminaire | Efficacy (Lm/W) | CRI | Dimming | Color Temperature | UGR | Standard (stock) On request (>LT) | Color Power Cable | Color Ceiling Canopy | Color Metal Shade and Ring | Fabric Collection | Fabric Color | Mounting Option |
|---------------|----------|---------|------------------------|-----------------|-----|---------|-------------------|-----|-----------------------------------|-------------------|----------------------|-------------------------------|-----------------------|-----------------------|--|
| LED Disk Ø460 | 120-277V | 26W | 2000 Lm | 77 | 80 | 1-10V | 3000K | 20 | Standard | Transparent | White | Black, White, Beige Red, Gold | Use color codes below | Use color codes below | 1 cable of 78.74" Alu or Black 1 cables of 196.85" Alu or Black |

cULus listed

Product Data

Fixing System

Fixing System BuzziHat



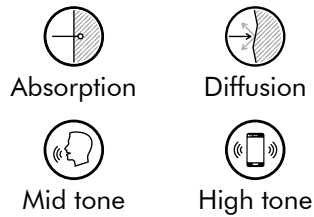
BuzziHat is suspended on 1 cable of 78.74" or 196.85" black or alu colored cables, with fixing system screw.

▲ If installing on suspended ceiling, verify load capacity prior to installation.

Acoustic Body



The acoustic body is upholstered in a chosen fabric.



Metal Shade and Ring



The powder coated metal shade and decorative ring are available in 4 colors: Black (RAL 9005), White (RAL 9010), Beige Red (RAL 3012) or Gold

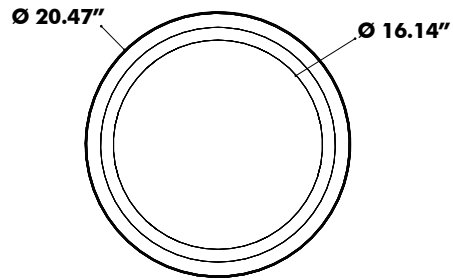
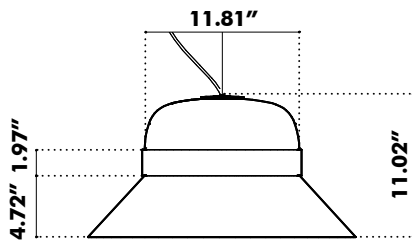
Mix and Match



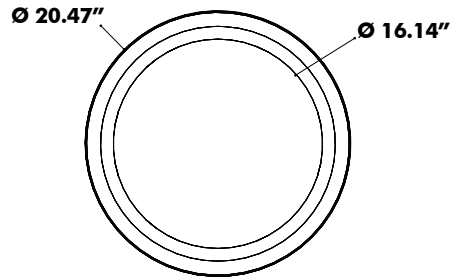
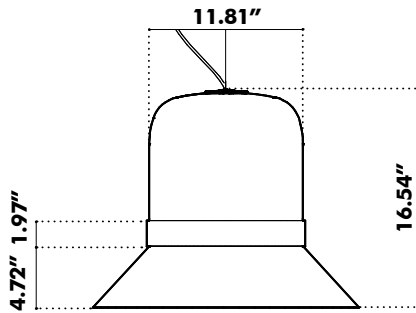
Customize your BuzziHat by mixing and matching the color of the ring, the shade and the upholstery fabric.

Dimensions

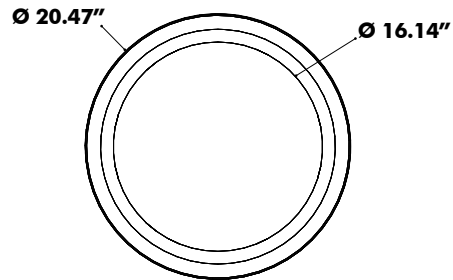
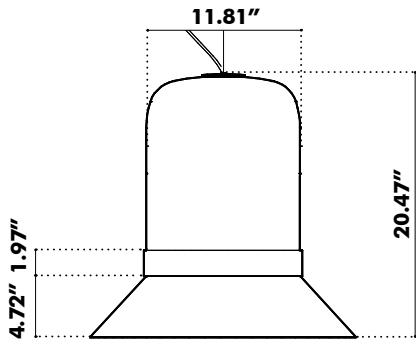
BuzziHat S



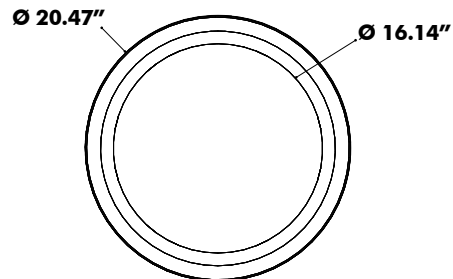
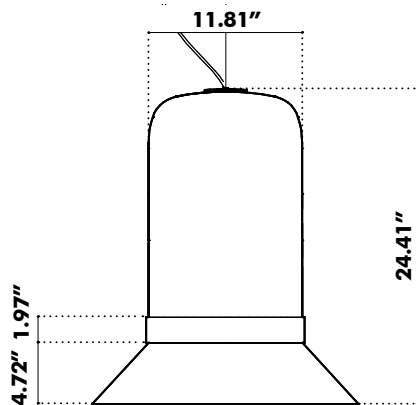
BuzziHat M



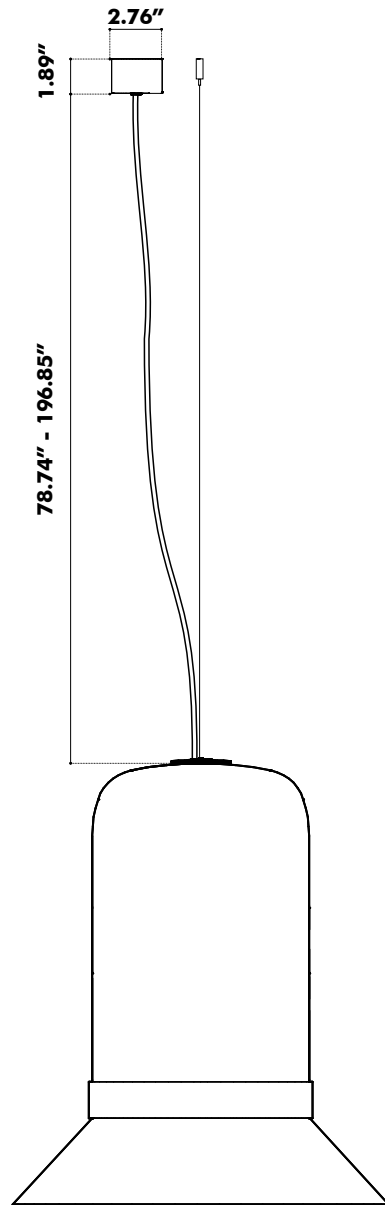
BuzziHat L



BuzziHat XL

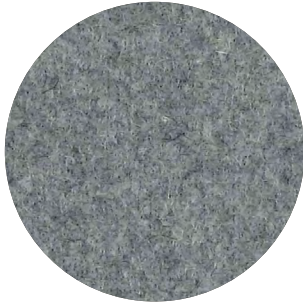


Suspension Set



Fabrics

Fabric (45 colors)



Category A

Composition 70% Recycled Wool, 25% Recycled Polyacryl,
5% Recycled Other Fabrics

Weight 405 g/m² | 11.94 oz/yd²

Abrasion resistance 40.000 Martindale, 50,000 Wyzenbeek

Flammability EU: EN 1021.1/2006 | BS EN 1021.1/2006 (cigarette).
EN 1021.2/2006 | BS EN 1021.2/2006 (match)
USA: CAL TB 117 | ASTM E84 CLASS A

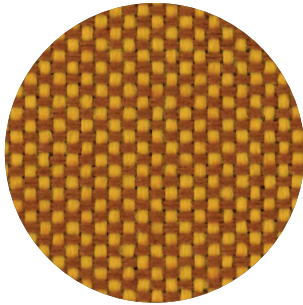
Fastness to light EU: 4 | USA 4

Fastness to rubbing EU: Wet 3-4 | Dry 4-5

Fastness to crocking USA: Wet 5 | Dry 5



Trevira CS+ | CS (47 colors)



Category A

Weight 420 g/m² | 12.39 oz/yd²

Composition 100% Polyester, Trevira CS

Abrasion resistance 100.000 Martindale, 90,000 Wyzenbeek

Flammability BS 5852 part II: CRIB 5 | BS 7176 Medium Hazard
USA: CAL TB 117 | M1 | B1 | EN 1021/1-2 | C1 |
IMO Res. A652 (16)

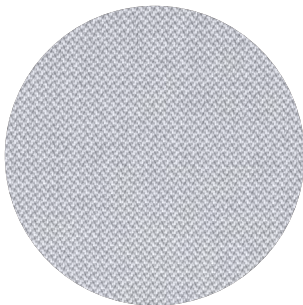
Fastness to light EU: 6 | USA 5

Fastness to rubbing EU: Wet 4-5 | Dry 4-5

Fastness to crocking USA: Wet 5 | Dry 5



Revive 1 (25 colors)



Category A

Composition 100% recycled polyester FR

Weight 430 g/lin.m

Abrasion resistance 60.000 Martindale rubs, EN ISO 12947

Flammability EN 1021-1/2 | DIN 4102 B1 | Önorm B1/Q1
UNI 9175 1IM | US Cal. Tech. Bull. 117
IMO A.652 (16)

Fastness to light Note 5-7, ISO 105-B02

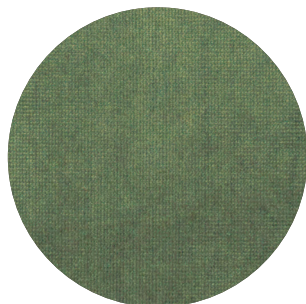
Fastness to rubbing (ISO) dry 5, wet 4-5

Pilling Note 4-5, EN ISO 12945



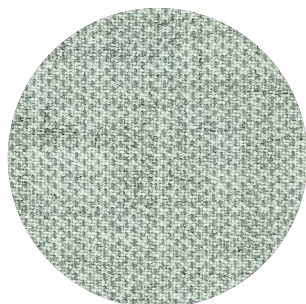
kvadrat

Velvet (12 colors)



Category B
Composition 100% PES
Weight 375 g/m² | 11.06 oz/yd²
Abrasion resistance > 100.000 Martindale
Fastness to light EU: 4-5
Fastness to rubbing EU: Wet 4 | Dry 4-5
Pilling EU: 4-5

Clara 2 (24 colors)



Category B
Composition 92% new wool, 8% nylon
Weight 400 g/lin.m
Abrasion resistance 80.000 Martindale rubs, EN ISO 12947
Flammability EN 1021-1/2 | BS 5852, ignition source 2-3 | DIN 4102 B2
NF D 60 013 | UNI 9175 1IM | US Cal. Tech. Bull. 117, Sec. E
NFPA 260 | IMO A.652(16)
Fastness to light Note 5-7, ISO 105-B02
Fastness to rubbing (ISO) dry 4-5, wet 4
Pilling Note 4, EN ISO 12945



kvadrat

Remix 3 (73 colors)

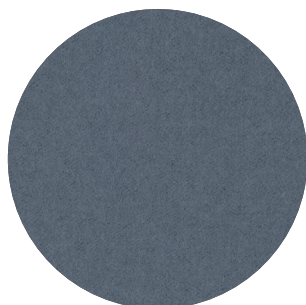


Category B
Composition 90% new wool, 10% nylon
Weight 415 g/lin.m
Abrasion resistance 100.000 Martindale rubs, EN ISO 12947
Flammability EN 1021-1/2 | BS 5852 part 1
Önorm B1/Q1 | NF D 60 013 | UNI 9175, 1IM
AS/NZS 1530.3 | Cal. Tech. Bull. 117-2013
NFPA 260 | IMO FTP Code 2010:Part 8
Fastness to light Note 5-7, ISO 105-B02
Fastness to rubbing (ISO) dry 4-5, wet 4
Pilling Note 4, EN ISO 12945



kvadrat

Hero 2 (33 colors)



Category C
Composition 97% new wool, 3% nylon
Weight 580 g/lin.m
Abrasion resistance 45.000 Martindale rubs, EN ISO 12947
Flammability EN 1021-1/2 | DIN 4102 B2 | NF D 60 013
UNI 9175 1IM | US Cal. Bull. 117-2013 | NFPA 260
IMO A.652 (16)
Fastness to light Note 5-6, ISO 105-B02
Fastness to rubbing (ISO) dry 4-5, wet 4-5
Pilling Note 3-4, EN ISO 12945



kvadrat

Tonus 4 (47 colors)

kvadrat



Category D

Composition 90% new wool, 10% Helanca

Weight 665 g/lin.m

Abrasion resistance 100.000 Martindale rubs, EN ISO 12947

Flammability EN 1021-1/2 | BS 5852 part 1 | DIN 4102 B2

Önorm B1/Q1 | NF D 60 013 | UNI 9175 11M

US Cal. Bull. 117-2013 | NFPA 260 | IMO A.652 (16)

Fastness to light Note 5-7, ISO 105-B02

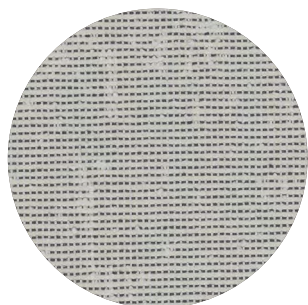
Fastness to rubbing (ISO) dry 3-5, wet 3-5

Pilling Note 3, EN ISO 12945



Memory 2 (20 colors)

kvadrat



Category E

Composition 100% Trevira CS

Weight 700 g/lin.m

Abrasion resistance

35.000 rubs acc. to the Martindale method, EN ISO 12947

Flammability EN 1021-1/2 | DIN 4102 B1 | Önorm B1/Q1

NF D 60 013 | NF P 92 507 M1 | UNI 9175 11M

UNI 9177 classe 1 | US Cal. Tech. Bull. 117

IMO A.652 (16)

Fastness to light Note 5-8, ISO 105-B02

Fastness to rubbing (ISO) dry 4-5, wet 4-5

Pilling Note 4, EN ISO 12945

