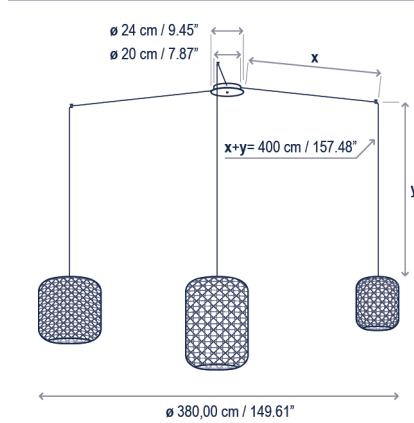
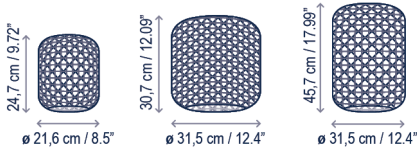


Nans S/3L

Design / Diseño:
Joana Bover / 2021

Typology: Pendant lamp
Tipología: Suspensión

Environment: Indoor
Ambiente: Interior



Technical description / Descripción técnica:

Net Weight: 11.6 lbs
Peso Neto: 11.6 lbs

1 Box/Caja
25.98 x 25.59 x 15.75 inches | 6.06 ft³
Gross Weight / Peso bruto: 17.09 lbs

Materials: Stainless steel, Aluminum, Synthetic Fiber.

Materiales: Acero Inoxidable, Aluminio, Fibra Sintética.

Diffuser: Polycarbonate
Difusor: Policarbonato

Hand woven with a recyclable and non-toxic synthetic polyethylene fiber.
Pantallas tejidas a mano con fibra de polietileno sintética reciclable y no tóxica.

Graphite Brown Structure
Estructura Marrón Grafito

Customizable: consult
Personalizable: consultar

For Casambi dimmers, consult
Para regulaciones Casambi, consultar

Certifications
Certificaciones



Lamps description / Descripción lámpara:

120V 60Hz 120-277V 50/60Hz DRY IP-20 3 x 9.5 W LED / CRI: 90 / 2700K
3 x 1450 lm light source / fuente de luz

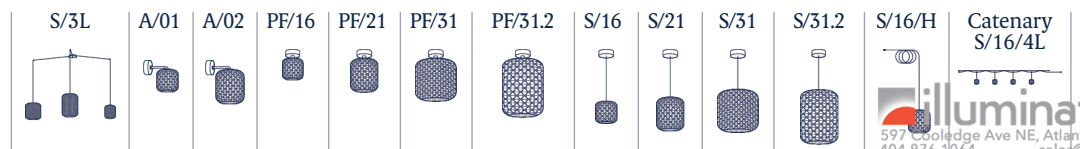
Ref	Finishing / Acabados
30922227160U	Dimmable Triac /0-10V Red Shade (with Orange and Beige) Regulable Triac /0-10V Pantalla Roja (con Naranja y Beige)
30922227163U	Dimmable Triac /0-10V Brown Shade (with Beige and Light Grey) Regulable Triac /0-10V Pantalla Marrón (con Beige y Gris Claro)
30922227166U	Dimmable Triac /0-10V Beige Shade (with Light Blue and Light Grey) Regulable Triac /0-10V Pantalla Beige (con Azul Claro y Gris Claro)

bover
barcelona lights

1231 Collier Road,
Suite C
Atlanta, GA 30318
United States

T. +1 (404) 924 2342
info@boverusa.com
www.boverusa.com

Family / Familia: Nans



Indoor / Interior

Outdoor / Exterior

597 Cooleidge Ave NE, Atlanta, GA 30306
404.876.1064
sales@illumco.com

05/2023 - 17:29