

## Ribbon / Wall Lamp

### Lexa - FL



120V-60Hz



1 x 60 W E26 A15 INC



1 x 5 W E26 A15 LED



1 x 13 W GU24 T2 CFL

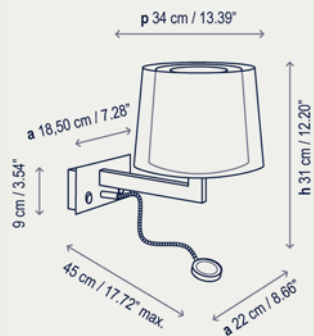
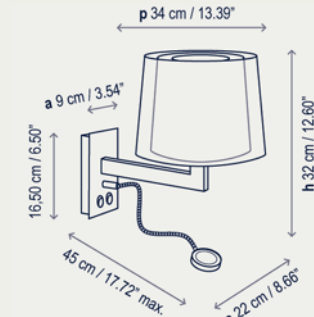


1 x 10 W GU24 A15 LED



1 x 1,2 W LED

Led: 1,2 W · Optics: 45°  
Lumens: 85 lm · CRI: 90  
Degrees Kelvin: 2900°



Vertical Backplate-box 3.54" x 6.50"  
Surface back box 3" x 6.6"

1220505U Satin Nickel  
1220506U Brilliant Chrome  
1220505GU Satin Nickel / GU24  
1220506GU Brilliant Chrome / GU24  
Important Note: Must mount vertically 2" x 4"

Horizontal Backplate-box 7.28" x 3.54"  
Surface back box 5.8" x 3"

1020505U Satin Nickel  
1020506U Brilliant Chrome  
1020505GU Satin Nickel / GU24  
1020506GU Brilliant Chrome / GU24  
Important note: Must mount horizontal 2" x 4"

Flexo made in brass to ensure greater flexibility and rigidity, with Zamac injection.  
Hood and switch on back plate.

Outer lampshade 8.66" x 6.30" x 7.09"

P-633E White Cotton  
Cotton shade without upper diffuser

P-634E White Translucent Ribbon  
P-635E Cream Translucent Ribbon

Set of double lamp shades:

P-636E\* Black Mesh  
P-636I\*\* Black Mesh

P-637E\* Red Mesh  
P-637I\*\* Red Mesh

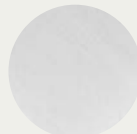
\* Outer lampshade: PVC crystal

\*\* Inner lampshade

Inner shade made of a fire-resistant polyester rigid film



### Finishing



Satin nickel



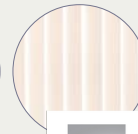
Brilliant chrome



White cotton



White ribbon



Cr

