

Name: FORA - MESA

Design: Alex Fernández Camps / Gonzalo Milà / 2010

Typology: Table lamp

Environment: Outdoor

Technical description:

Outdoor table lamp releasing light through a frosted medium density, UV protected polyethylene globe, shielded by weaved synthetic polyethylene fiber lamp shade. Lamp shade is available in natural white and brown graphite. Metal parts made of inox or aluminum, coated with anti-corrosive, cataphoresis treatment to provide comprehensive protection against all weather conditions in accordance with IP 55 rating. Electrical cord is encased with protective neoprene. Base is weighted to sustain high winds. (IP 55).



Lamps description

Grounding: compulsory

2 x 20 W E26 Triple CFL

2 x 10 W E26 A19 LED

Voltage: 120V~60Hz

1 Box 21.65 x 21.65 x 29.53 inches

Vol.: 8.0129 ft<sup>3</sup>

Weight: 26.46 lbs

Certifications: IP-55

Photometrics made according to the position the lights are shown in the catalogue and price list.

Ref      Finishings

SETS:

2230301U    Natural White

P-695      Light Beige

2230303U    Brown Graphite

P-696      Brown

All Bover's synthetic fiber collection are recyclable and non-toxic for environmental sustainability.

Lampshade 19.69" x 11.81"  
Synthetic Polyethylene Fiber, aluminum frame.  
(Operating temperature: -70°C to +70°C)

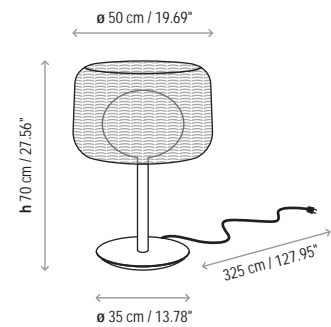
Light source is protected by polyethylene globe of medium density and UV protection.  
(Operating temperature: -40°C to +70°C)

Black wire without switch

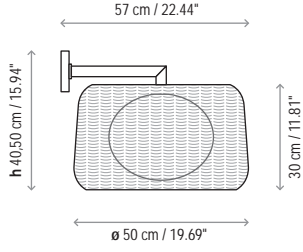
Dry + wet location

Not Customizable

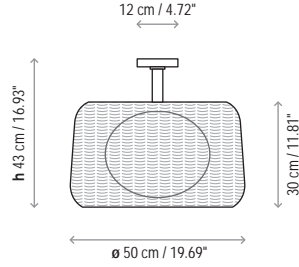
Measures



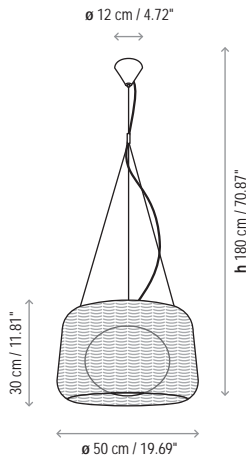
Fora - Aplique



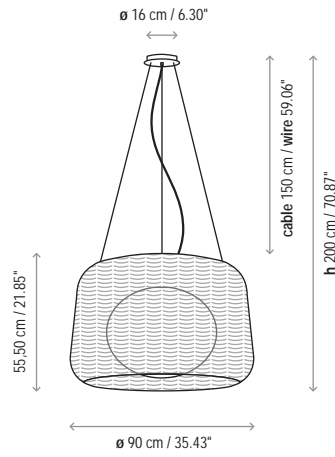
Fora - Plafón



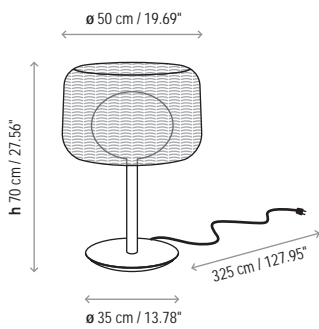
Fora - S



Fora - 90



Fora - Mesa



Fora - Pie (Concrete Base)

