

**Description:**

An organic-look suspension lamp with an aluminium shade. Direct and reflected light. Available in textured monochromatic white or black matte finishes, and textured matte two-toned black and white, with a gold interior. Tree S50 LED and Tree S75 LED include dimable equipment.

Materials:

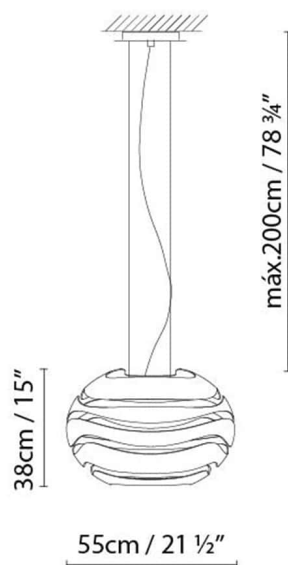
Aluminium.

Certifications:

IP20

110-230V

TREE SERIES S50 LED

**Light source:**

LED ▶ A+ LED 19,5W 2350lm 700mA
3000K CRI>80 DIM 230V

Weight :

Net kg.: 6.1

Gross kg: 10.5

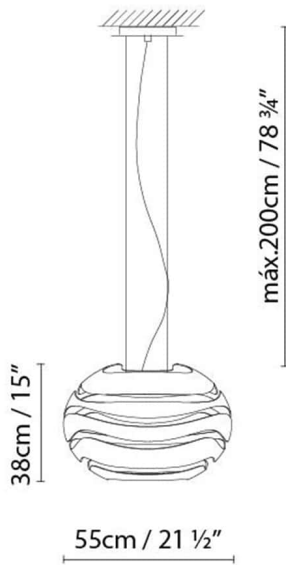
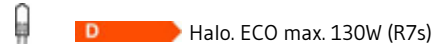
Packaging:

N. packages: 1

Volume m3: 0.220

Dimensions cm: 60x60x62

TREE SERIES S50 HALO

**Light source:**

Halo. ECO max. 130W (R7s)

Weight :

Net kg.: 6.1

Gross kg: 10.5

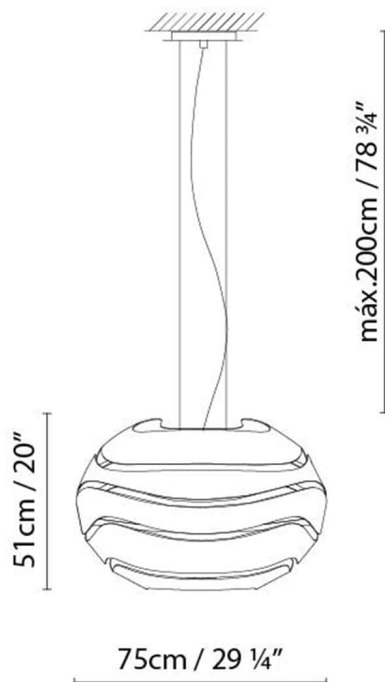
Packaging:

N. packages: 1

Volume m3: 0.220

Dimensions cm: 60x60x62

TREE SERIES S75 LED

**Light source:**LED 28W 3830lm 700mA 3000K CRI>80
DIM 110-230V**Weight :**

Net kg.: 15.0

Gross kg: 19.8

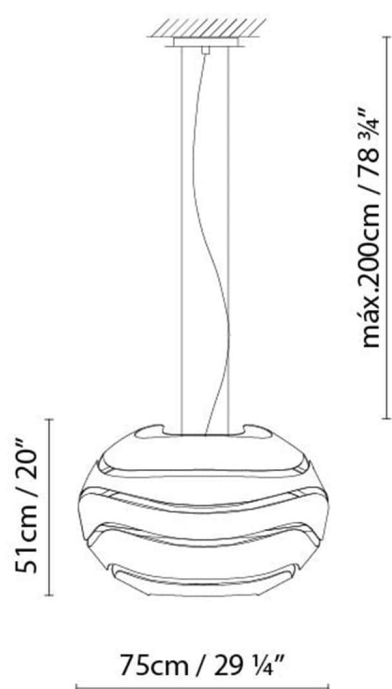
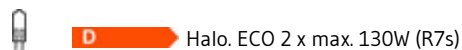
Packaging:

N. packages: 1

Volume m3: 0.600

Dimensions cm: 90x99x68

TREE SERIES S75 HALO

**Light source:**

Halo. ECO 2 x max. 130W (R7s)

Weight :

Net kg.: 15.0

Gross kg.: 19.8

Packaging:

N. packages: 1

Volume m3: 0.600

Dimensions cm: 90x99x68

Collection



Designer
 Technical drawing
 Instrucciones de montaje
 3D
 Assembly instructions