

**Description:**

An exterior lamp. The upper part is made of aluminium with a natural anodised finish manufactured from UV stabilised opal polyethylene. Boletus Outside A ground fixed and hard wired, while Boletus exterior B is portable and has a maximum wiring connection of 3.5 metres.

**Materials:**

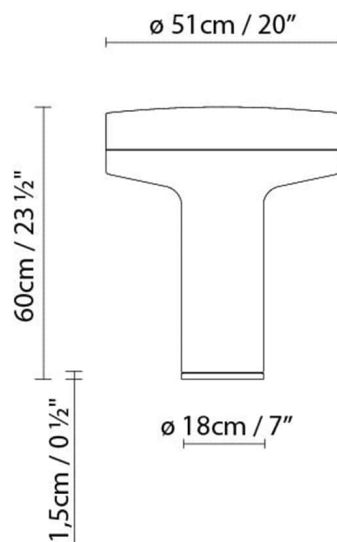
Aluminium and PE.

**Certifications:**

IP65

230V

## BOLETUS OUTSIDE A LED

**Light source:**

**LED** A+ LED 4 x 5,2W 3480lm 450mA 3000K  
CRI>80 230V

**Weight :**

Net kg.: 10.3

Gross kg: 11.5

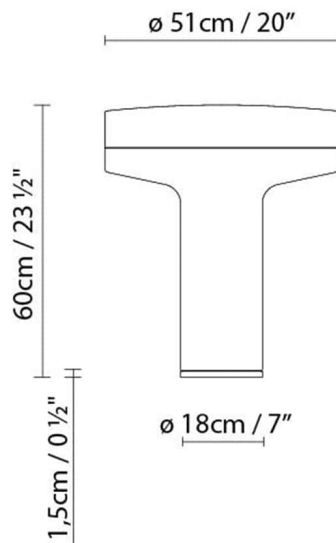
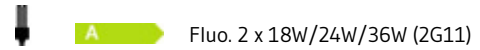
**Packaging:**

N. packages: 1

Volume m3: 0.250

Dimensions cm: 63.5x63.5x62

## BOLETUS OUTSIDE A FLUO

**Light source:**

Fluo. 2 x 18W/24W/36W (2G11)

**Weight :**

Net kg.: 10.3

Gross kg: 11.5

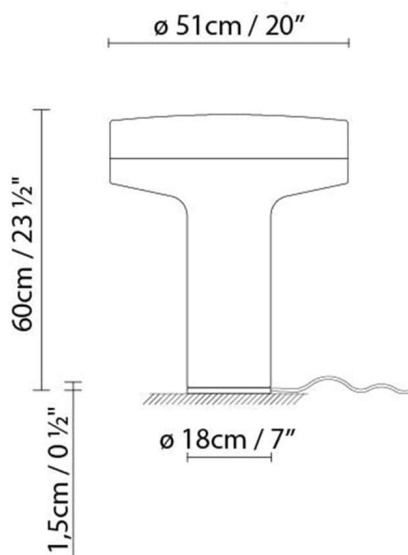
**Packaging:**

N. packages: 1

Volume m3: 0.250

Dimensions cm: 63.5x63.5x62

## BOLETUS OUTSIDE B LED

**Light source:**LED 4 x 5,2W 3480lm 450mA 3000K  
CRI>80 230V**Weight :**

Net kg.: 10.3

Gross kg: 11.5

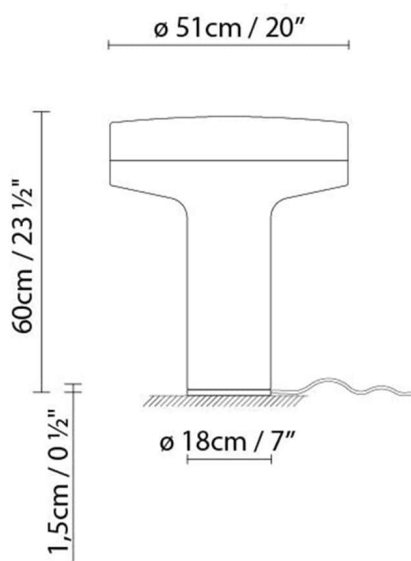
**Packaging:**

N. packages: 1

Volume m3: 0.250

Dimensions cm: 63.5x63.5x62

## BOLETUS OUTSIDE B FLUO

**Light source:**

Fluo. 2 x 18W/24W/36W (2G11)

**Weight :**

Net kg.: 10.3

Gross kg: 11.5

**Packaging:**

N. packages: 1

Volume m3: 0.250

Dimensions cm: 63.5x63.5x62

## Collection



Designer  
 Technical drawing  
 Instrucciones de montaje