



Description:

Direct light suspension lamp, equipped with LED modules with COB (chips on board). Aluminum. Available in white or black finishes, both matte. Other finishes and dimmer version on request.

Materials:

Aluminum.

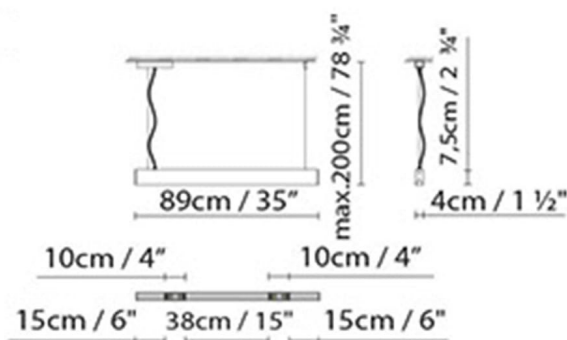
Certifications:



IP20

120V

ANVIL S90 LED MODULE



Light source:

LED LED 2 x (2 x 4,5W) 2184lm 250mA
3000K CRI80 120V

Weight :

Net kg:

Gross kg: 4.0

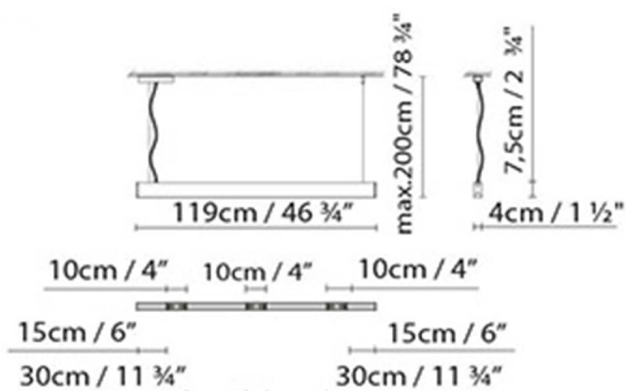
Packaging:

N. packages: 1

Volumen m3:

Dimensions cm:

ANVIL S120 LED MODULE



Light source:

LED LED 3 x (2 x 4,5W) 3276lm 250mA
3000K CRI80 120V

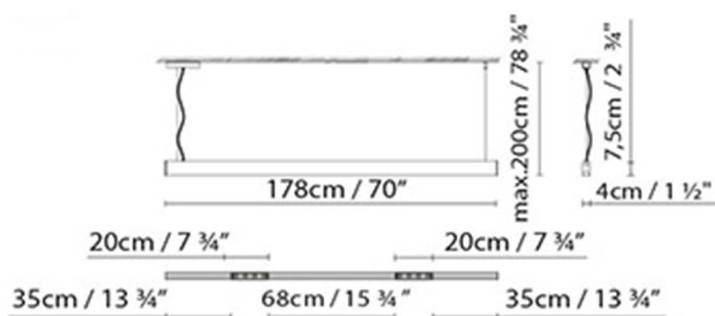
Weight :

Net kg:
Gross kg: 4.4

Packaging:

N. packages: 1
Volumen m3:
Dimensions cm:

ANVIL S180 LED MODULE



Light source:

LED LED 2 x (4 x 4,5W) 4368lm 250mA
3000K CRI80 120V

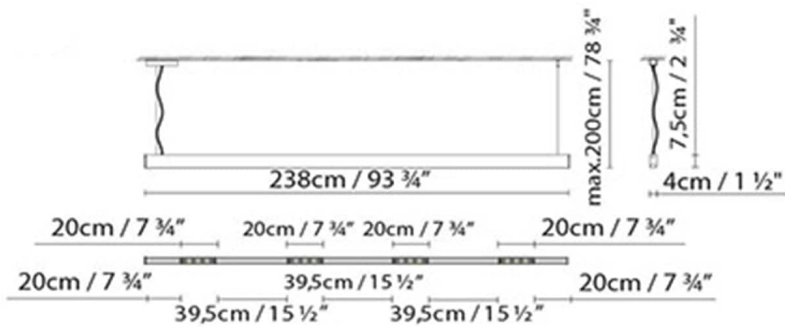
Weight :

Net kg:
Gross kg: 5.2

Packaging:

N. packages: 1
Volumen m3:
Dimensions cm:

ANVIL S240 LED MODULE

**Light source:**

LED LED 4 x (4 x 4,5W) 8736lm 250mA
3000K CRI80 120V

Weight :

Net kg:

Gross kg: 6.1

Packaging:

N. packages: 1

Volumen m3:

Dimensions cm:

Collection



Designer
Technical drawing