



**USULI090**  
Design by Timo Ripatti

Collection consisting of wall lamps, ceiling lamps and suspended lamps in aluminum. Available in several colors and sizes.

Typology: SUSPENDED LAMP

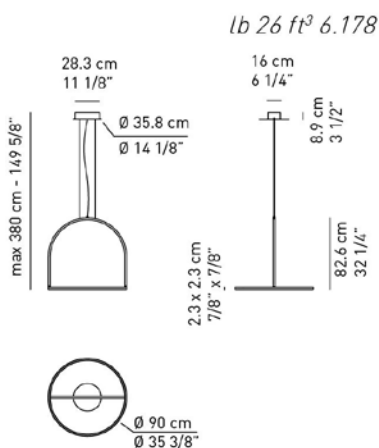
Ratings

- Built in **LED** module
- CCT 3000 K
- Downlight
- Installs over 4 in. octagonal J-box (support independently)
- Power supply 120/277V AC
- Switch mode: on-off
- Dimmable 1-10V LED driver
- Painted aluminum profile 23 x 23 mm
- Opalescent diffuser

Product code composition

**U-LIGHT / downward lighting only / DRIVER INCLUDED**

Type	Article	Colours	Code End	Source
US	ULI 090 LED	AN anthracite grey	XX	LED 63W - diffused beam 3000K
		RU rust brown		



DRY LOCATION CRI90 120/277VAC **LED** 4904 lm 78 lm/W

example composition code | US | ULI090LED | RU | XX |

Available colors



AN  
Anthracite  
grey

RU  
Rust brown

USULI090LED \_ \_ XX

CUSTOMER \_\_\_\_\_ NOTES \_\_\_\_\_

\_\_\_\_\_

Luminous flux for all built-in LED luminaires is shown at source level. Technical data could be subject to alteration without notice. Axo Light does not provide legal guarantee for the accuracy of this data sheet.





**USULI120**  
Design by Timo Ripatti

Collection consisting of wall lamps, ceiling lamps and suspended lamps in aluminum. Available in several colors and sizes.

Typology: SUSPENDED LAMP

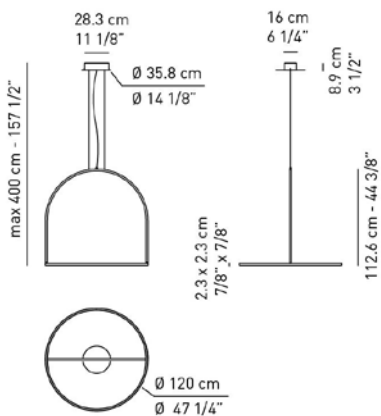
Ratings

- Built in **LED** module
- CCT 3000 K
- Downlight
- Installs over 4 in. octagonal J-box (support independently)
- Power supply 120/277V AC
- Switch mode: on-off
- Dimmable 1-10V LED driver
- Painted aluminum profile 23 x 23 mm
- Opalescent diffuser

Product code composition

lb 33.94 ft<sup>3</sup> 10.76

U-LIGHT / downward lighting only / DRIVER INCLUDED



Type	Article	Colours	Code End	Source
US	ULI 120 LED	AN anthracite grey RU rust brown	XX	LED 86W - diffused beam 3000K

DRY LOCATION CRI90 120/277VAC
 
 7354 lm 86 lm/W

example composition code | US | ULI120LED | AN | XX |

Available colors



AN  
Anthracite  
grey

RU  
Rust brown

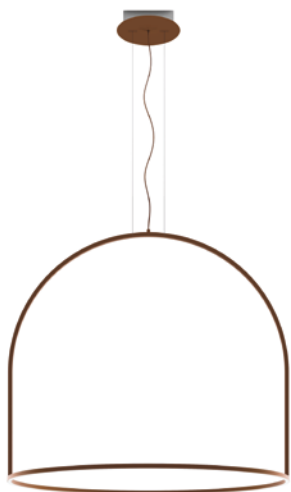
USULI120LED \_ \_ XX

CUSTOMER \_\_\_\_\_ NOTES \_\_\_\_\_

\_\_\_\_\_

Luminous flux for all built-in LED luminaires is shown at source level. Technical data could be subject to alteration without notice. Axo Light does not provide legal guarantee for the accuracy of this data sheet.





**USULI160**  
Design by Timo Ripatti

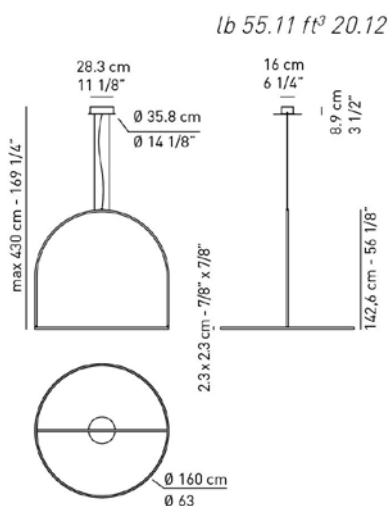
Collection consisting of wall lamps, ceiling lamps and suspended lamps in aluminum.  
Available in several colors and sizes.

Typology: SUSPENDED LAMP

Ratings

- Built in **LED** module
- CCT 3000 K
- Downlight
- Installs over 4 in. octagonal J-box (support independently)
- Power supply 120/277V AC
- Switch mode: on-off
- Dimmable 1-10V LED driver
- Painted aluminum profile 23 x 23 mm
- Opalescent diffuser

Product code composition



U-LIGHT / downward lighting only / DRIVER INCLUDED

Type	Article	Colours	Code End	Source
US	ULI 160 LED	AN anthracite grey	XX	LED 125W - diffused beam 3000K
		RU rust brown		

DRY LOCATION CRI90 120/277VAC **LED** 11000 lm 88 lm/W

example composition code | US | ULI160LED | RU | XX |

Available colors



AN  
Anthracite  
grey

RU  
Rust brown

USULI160LED\_\_XX      CUSTOMER \_\_\_\_\_      NOTES \_\_\_\_\_

\_\_\_\_\_

Luminous flux for all built-in LED luminaires is shown at source level.  
Technical data could be subject to alteration without notice. Axo Light does not provide legal guarantee for the accuracy of this data sheet.

