



U11190734

Design by S. & R. Cornelissen

Collection consisting of wall lamps in white metal.
Built-in LED light source bi-emitting.

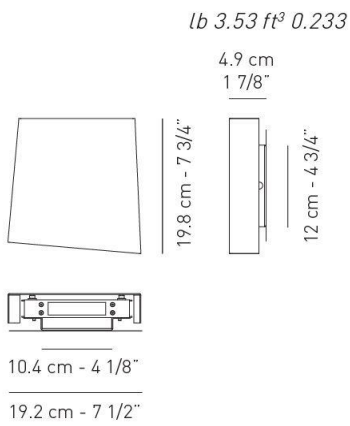
Typology: WALL LAMP

Ratings

- Built in **LED** module
- CCT 3000 K
- Downlight and uplight
- Installs over 4-inch octagonal J-Box
- Power supply 120V AC
- Switch mode: on-off
- Dimmable ELV trailing edge phase cut LED driver
- Metal sheet, painted

Product code composition

RYTHMOS / LED 16.6W (bi-emitting)



Zone	Type	Article	System compatibility	Finish	LED colour temperature	Beam options
U	1	111	9	07 white 9016 matt	1 3000 K	4 diffused
DRY LOCATION			ADA	CRI90 120VAC	LED 1298 lm	78.2 lm/W
example composition code U 1 111 9 07 1 4						

Available colors



07
White 9016
matt

CUSTOMER _____ NOTES _____

U111190714

NOTICE:

Luminous flux for all built-in LED luminaires is shown at source level.
Technical data could be subject to alteration without notice. Axo Light does not provide legal guarantee for the





U11120714
Design by S. & R. Cornelissen

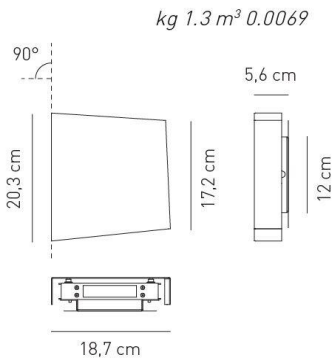
Collection consisting of wall lamps in white metal. Built-in LED light source bi-emitting.

Typology: WALL LAMP

Ratings

- Built in **LED** module
- CCT 3000 K
- Downlight and uplight
- Installs over 4-inch octagonal J-Box
- Power supply 120V AC
- Switch mode: on-off
- Dimmable ELV trailing edge phase cut LED driver
- Metal sheet, painted

Product code composition



RYTHMOS / LED 16.6W (bi-emitting)									
Zone	Type	Article	System compatibility	Finish	LED colour temperature	Beam options			
U	1	112	9	07 white 9016 matt	1 3000 K	4 diffused			
DRY LOCATION			ADA	CRI90 120VAc	LED 1298 lm	78.2 lm/W			
example composition code			U	1	112	9	07	1	4

Available colors



07
White 9016
matt

EELc (Energy Efficiency Label compatibility) contain built in LED lamps that cannot be changed: A, A+, A++

CUSTOMER _____ NOTES _____

U111290714 _____

NOTICE:

Luminous flux for all built-in LED luminaires is shown at source level.
Technical data could be subject to alteration without notice. Axo Light does not provide legal guarantee for the

425 Peachtree Hills Ave. NE #3 Atlanta, GA 30305
404.876.1064 sales@illumco.com