



UPORCHID
Design by Rainer Mutsch

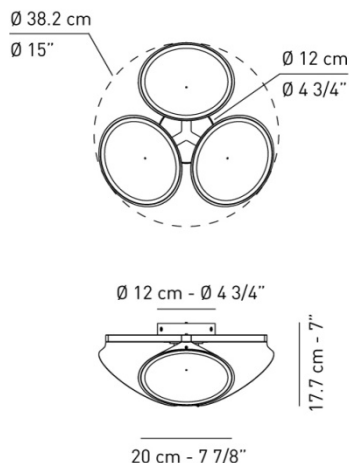
Collection consisting of aluminium wall lamps, ceiling lamps, suspended lamps and floor lamps. Available in several colours.

Typology: CEILING

Ratings

- Built in line voltage **LED** module
- CCT 3000 K
- Downlight or uplight
- Installs over 4 in. octagonal J-box
- Power supply 120V AC
- Switch mode: on-off dimmable trailing edge
- Die cast aluminium body, painted
- Opalescent diffuser

Product code composition



ORCHID

Type	Article	Colours	Code End	Source
UP	ORCHID	BC white	XX	LED 3 x 15W - diffused beam 3000K
		SA sand		

DRY LOCATION CRI90 - dimmable ELV TRAILING EDGE PHASE CUT 120VAC **LED** 3762 lm 84 lm/W

example composition code | UP | ORCHID | BC | XX | LED

Available colors



SA Sand

BC White

CUSTOMER _____ NOTES _____

UPORCHID _ _ XXLED

Luminous flux for all LED luminaires is shown at source level. Technical data could be subject to alteration without notice. Axo Light does not provide legal guarantee for the

425 Peachtree Hills Ave. NE #3 Atlanta, GA 30305
404.876.1064 sales@illumco.com



UAORCHID

Design by Rainer Mutsch

Collection consisting of aluminum wall lamps, ceiling lamps, suspended lamps and floor lamps. Available in several colours.

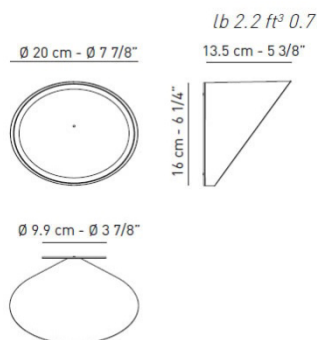
Typology: WALL, CEILING

Ratings

- Built in line voltage **LED** module
- CCT 3000 K
- Downlight or uplight
- Installs over 4 in. octagonal J-box
- Power supply 120V AC
- Switch mode: on-off dimmable trailing edge
- Die cast aluminum body, painted
- Opalescent diffuser

Product code composition

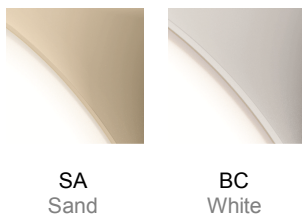
ORCHID / application: both as ceiling or wall lamp



Type	Article	Colours	Code End	Source
UA	ORCHID	BC white SA sand	XX	LED 15W - diffused beam 3000K

DRY LOCATION CRI90 120VAC **LED** 1254 lm 84 lm/W
 example composition code |UA| |ORCHID| |SA| |XX| |LED|

Available colors



UAORCHID_XXLED CUSTOMER _____ NOTES _____

Luminous flux for all LED luminaires is shown at source level. Technical data could be subject to alteration without notice. Axo Light does not provide legal guarantee for the

425 Peachtree Hills Ave. NE #3 Atlanta, GA 30305
404.876.1064 sales@illumco.com