



UPNELL60
Design by Manuel Vivian

Collection consisting of ceiling or wall lamps with metal frame and removable, washable elastic fabric covering. Available in several colours and sizes. Screw fitting light source.

Typology: CEILING - WALL LAMP

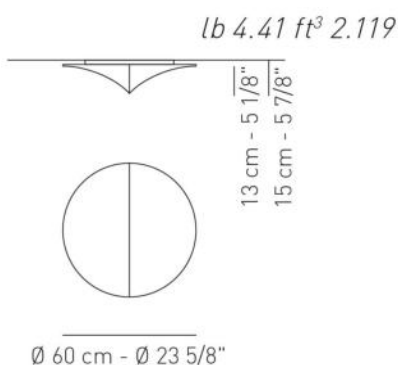
Ratings

- E26
- Diffused light
- Surface installation over holes
- Power supply 120V AC
- Switch mode: on-off
- Steel frame, painted

Product code composition

NELLY / application: both as ceiling or wall lamp

| Type | Article | Colours | Finish | Source |
|------|---------|------------------|----------------|---------------------------------------------------------------------|
| UP | NELL 60 | BC ivory white | XX white metal | E26 [#] 2 x Max 17W LED or 2 x Max 26W fluo (see details on page 2) |
| | | FA ivory pattern | | |
| | | FB white pattern | | |



DRY LOCATION

example composition code | **UP** | **NELL60** | **FA** | **XX** | **E26**

for optional accessories please refer to our pricelist or contact our representatives

Available lampshade colors



BC
White

FA
Ivory pattern

FB
White pattern

UPNELL60_ _XXE27

CUSTOMER _____

NOTES _____

Luminous flux for all built-in LED luminaires is shown at source level.
Technical data could be subject to alteration without notice. Axo Light does not provide legal guarantee for the accuracy of this data sheet.



UPNELL100

Design by Manuel Vivian

Collection consisting of ceiling or wall lamps with metal frame and removable, washable elastic fabric covering. Available in several colours and sizes. Screw fitting light source.

Typology: CEILING-WALL LAMP

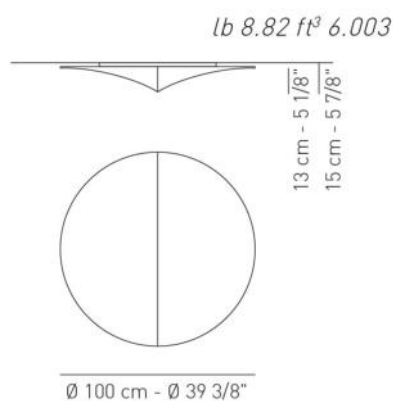
Ratings

- E26
- Diffused light
- Surface installation over holes
- Power supply 120V AC
- Switch mode: on-off
- Steel frame, painted

Product code composition

NELLY / application: both as ceiling or wall lamp

| Type | Article | Colours | Finish | Source |
|-----------|----------------|-------------------------|-----------------------|-------------------------------------------------------------------------------------|
| UP | NEL 100 | BC ivory white | XX white metal | E26 [#] 3 x Max 17W LED or 3 x Max 26W fluo (see details on page 2) |
| | | FA ivory pattern | | |
| | | FB white pattern | | |



DRY LOCATION

example composition code | **UP** | **NEL100** | **FB** | **XX** | **E26**

for optional accessories please refer to our pricelist or contact our representatives

Available lampshade colors



BC
White

FA
Ivory pattern

FB
White pattern

UPNEL100__XXE27

CUSTOMER _____

NOTES _____

Luminous flux for all built-in LED luminaires is shown at source level. Technical data could be subject to alteration without notice. Axo Light does not provide legal guarantee for the accuracy of this data sheet.



UPNEL140
Design by Manuel Vivian

Collection consisting of ceiling or wall lamps with metal frame and removable, washable elastic fabric covering. Available in several colours and sizes. Screw fitting light source.

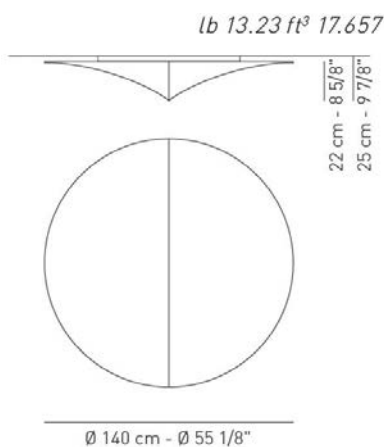
Typology: CEILING-WALL LAMP

Ratings

- E26
- Diffused light
- Surface installation over holes
- Power supply 120V AC
- Switch mode: on-off
- Steel frame, painted

Product code composition

NELLY / application: both as ceiling or wall lamp



| Type | Article | Colours | Finish | Source |
|------|---------|-------------------------|-----------------------|---------------------------------------------------------------------------------------|
| UP | NEL 140 | BC ivory white | XX white metal | E26 [#] 4 x Max 17W LED or 4 x Max 26W fluo (see details on page 2) |
| | | FA ivory pattern | | |
| | | FB white pattern | | |



DRY LOCATION

example composition code | **UP** | **NEL140** | **BC** | **XX** | **E26**

for optional accessories please refer to our pricelist or contact our representatives

Available lampshade colors



BC
White



FA
Ivory pattern



FB
White pattern

UPNEL140__XXE27

CUSTOMER _____

NOTES _____

Luminous flux for all built-in LED luminaires is shown at source level.
Technical data could be subject to alteration without notice. Axo Light does not provide legal guarantee for the accuracy of this data sheet.

