



USMELT55

Design by Sandro Santantonio

Collection consisting of wall lamps, suspended lamps and floor lamps. The lampshades coming in various decorative patterns.

Typology: SUSPENDED

Ratings

- E26 or GU24 LED
- Downlight and uplight
- Installs over 4 in. octagonal J-box
- Power supply 120V AC
- Switch mode: on-off
- Steel frame
- Optional opalescent diffuser

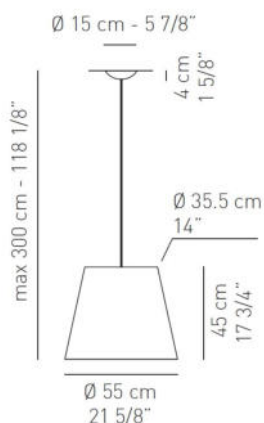
GU24 LED VERSION

- CCT 2700 K, CRI 80
- Dimmable ELV trailing edge, phase cut LED bulb

Product code composition

MELTINGPOT / diffuser NOT INCLUDED - available on request

lb 3.97 ft³ 8.82



Type	Article	Colours	Finish	Source
US	MELT 55	BA light patterns outside / silver inside	XX white varnished metal	E26 3 x Max 17W LED or 3 x Max 26W fluo
		BO light patterns outside / gold inside		LED GU24 3x15W - included 120VAC - CRI80 diffused beam - 2700K 4800 lm - 107 lm/W - dimmable ELV TRAILING EDGE PHASE CUT LED
		NA dark patterns outside / silver inside		
		NE dark patterns outside / gold inside		



example composition code | US | MELT55 | NA | XX | LED

Available colours



- BA** Light patterns outside / silver inside
- BO** Light patterns outside / gold inside
- NA** Dark patterns outside / silver inside
- NE** Dark patterns outside / gold inside

SPMELT55__XX__

CUSTOMER _____ NOTES _____

Luminous flux (lm) and efficacy (lm/W) for all built-in LED luminaires is estimated based on nominal ratings of the LED sources. Technical data could be subject to alteration without notice. Axo Light does not provide legal guarantee for the accuracy of this data sheet.



USMELT80

Design by Sandro Santantonio

Collection consisting of wall lamps, suspended lamps and floor lamps. The lampshades coming in various decorative patterns.

Typology: SUSPENDED LAMP

Ratings

- E26 or GU24 LED
- Downlight and uplight
- Installs over 4 in. octagonal J-box
- Power supply 120V AC
- Switch mode: on-off
- Steel frame
- Optional opalescent diffusers

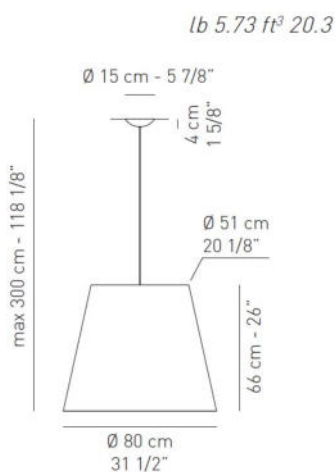
GU24 LED VERSION

- CCT 2700 K, CRI 80
- Dimmable ELV trailing edge, phase cut LED bulb

Product code composition

MELTINGPOT / diffuser NOT INCLUDED - available on request

Type	Article	Colours	Finish	Source
US	MELT 80	<p>BA light patterns outside / silver inside</p> <p>BO light patterns outside / gold inside</p> <p>NA dark patterns outside / silver inside</p> <p>NE dark patterns outside / gold inside</p>	XX white varnished metal	<p>E26 3 x Max 17W LED or 3 x Max 26W fluo</p> <p>LED GU24 3x15W - included 120VAC - CRI80 diffused beam - 2700K 4800 lm - 107 lm/W</p>



DRY LOCATION

example composition code | **US** | **MELT80** | **BO** | **XX** | **E26**

Available colours



- BA** Light patterns outside / silver inside
- BO** Light patterns outside / gold inside
- NA** Dark patterns outside / silver inside
- NE** Dark patterns outside / gold inside

SPMELT80__XX__

CUSTOMER _____ NOTES _____

Luminous flux (lm) and efficacy (lm/W) for all built-in LED luminaires is estimated based on nominal ratings of the LED sources. Technical data could be subject to alteration without notice. Axo Light does not provide legal guarantee for the accuracy of this data sheet.

