



US LIAI G 4
Design by Sara Moroni

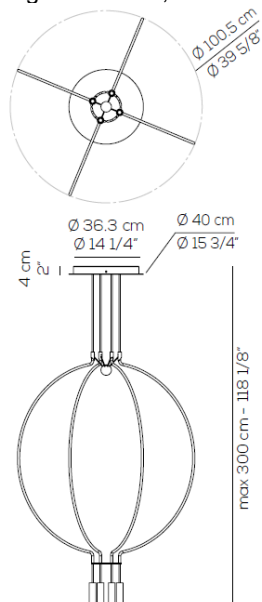
Collection consisting of metal suspended lamps.
Available in several colours and sizes.
Built-in dimmable LED light source.

Typology: suspended

Ratings

- Built in **LED** module
- CCT 3000 K
- optic ~40° beam
- Surface installation over holes
- Supply voltage ~100-240V
- Switch mode: on-off
- Dimmable 0/1-10V

kg 6.068 m³ 0,1749



Product code composition
LIAISON / DRIVER INCLUDED

Type	Article	Arch / Final & sphere finishes	Source
US	LIAI G 4	NE black / NE black	LED 4 x 7.5W - optic ~ 40° beam 3000K*, 2700K
		NE black / OO matt gold	
		OO matt gold / NE black	



DRY LOCATION CRI>90 **LED** ~2684 lm* 89 lm/W* 100-240VAC

example composition code US LIAI G 4 OO NE LED

Available colors



NE/NE
Black/black

OO/NE
Matt gold
/black

NE/OO
Black/ Matt
gold

Customizable

EELc (Energy Efficiency Label compatibility) contain built in LED lamps that cannot be changed: A, A+, A++

CUSTOMER _____ NOTES _____

USLIAIG4 _ _ _ _ LED _____

NOTICE: Luminous flux (lm) and efficacy (lm/W) for all built in LED luminaires is based on nominal ratings of the LED sources.
Technical data could be subject to alteration without notice. Axo Light does not provide legal guarantee for the accuracy of this data sheet.



US LIAI M 4
Design by Sara Moroni

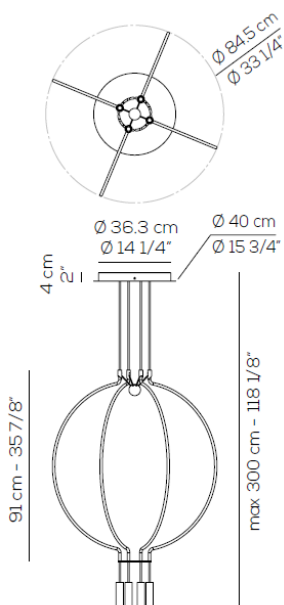
Collection consisting of metal suspended lamps.
Available in several colours and sizes.
Built-in dimmable LED light source.

Typology: suspended

Ratings

- Built in **LED** module
- CCT 3000 K
- optic ~40° beam
- Surface installation over holes
- Supply voltage ~100-240V
- Switch mode: on-off
- Dimmable 0/1-10V

lb 13.10 ft³ 8.745



Product code composition
LIAISON / DRIVER INCLUDED

Type	Article	Arch / Final & sphere finishes	Source
US	LIAI M 4	NE black / NE black	LED 4 x 7.5W - optic ~ 40° beam 3000K*, 2700K
		NE black / OO matt gold	
		OO matt gold / NE black	



DRY LOCATION CRI>90 **LED** ~2684 lm* 89 lm/W* 100-240VAC

example composition code US LIAI M 4 OO NE LED

Available colors



EELc (Energy Efficiency Label compatibility) contain built in LED lamps that cannot be changed: A, A+, A++

USLIAIM4 _ _ _ _ LED

CUSTOMER _____ NOTES _____

NOTICE: Luminous flux (lm) and efficacy (lm/W) for all built in LED luminaires is based on nominal ratings of the LED sources.
Technical data could be subject to alteration without notice. Axo Light does not provide legal guarantee for the accuracy of this data sheet.



US LIAI P 4

Design by Sara Moroni

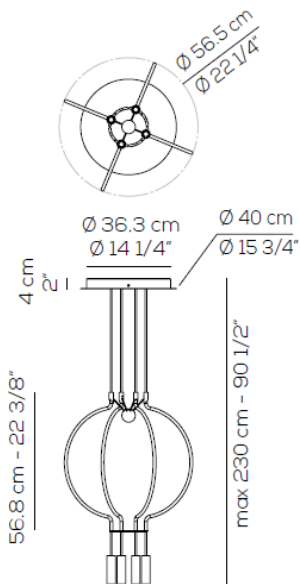
Collection consisting of metal suspended lamps.
Available in several colors and sizes.
Built-in dimmable LED light source.

Typology: suspended

Ratings

- Built in **LED** module
- CCT 3000 K
- optic ~40° beam
- Surface installation over holes
- Supply voltage ~100-240V
- Switch mode: on-off
- Dimmable 0/1-10V

lb 12.55 ft³ 4.222



Product code composition
LIAISON / DRIVER INCLUDED

Type	Article	Arch / Final & sphere finishes	Source
US	LIAI P 4	NE black / NE black	LED 4 x 7.5W - optic ~ 40° beam 3000K*, 2700K
		NE black / OO matt gold	
		OO matt gold / NE black	



DRY LOCATION CRI>90 **LED** ~2684 lm* 89 lm/W* 100-240VAC

example composition code US LIAI P 4 NE NE LED

Available colors



NE/NE
Black/black

OO/NE
Matt gold
/black

NE/OO
Black/ Matt
gold

Customizable

EELc (Energy Efficiency Label compatibility) contain built in LED lamps that cannot be changed: A, A+, A++

CUSTOMER _____ NOTES _____

USLIAIM4 _ _ _ _ LED

NOTICE: Luminous flux (lm) and efficacy (lm/W) for all built in LED luminaires is based on nominal ratings of the LED sources.
Technical data could be subject to alteration without notice. Axo Light does not provide legal guarantee for the accuracy of this data sheet.