



US JEWX 03
Design by Yonoh

Collection consisting of suspended lamps made of aluminium and recycled abs arch. Available in four versions. Built-in dimmable or not dimmable LED light source.

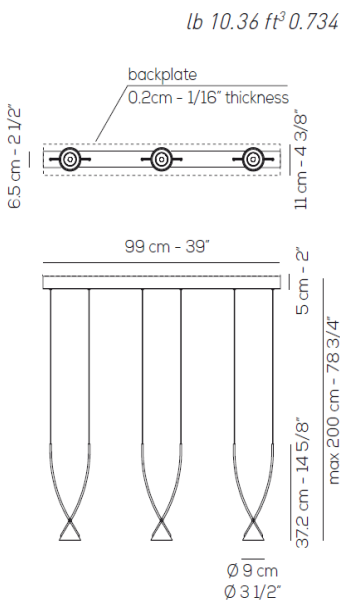
Typology: suspended

Ratings

- Built in **LED** module
 - CCT 3000 K
 - optic ~35° beam
 - Surface installation over holes
 - Supply voltage ~90-264VAC or 100-120VAC
 - Switch mode: on-off
 - Aluminum body
- US JEW E 03: not dimmable
•US JEW D 03: dimmable version: phase cut

Product code composition

JEWEL / DRIVER INCLUDED NOT DIMMABLE



Type	Article	Colours / Finish	Source
US	JEWE 03	NE black / NE black	LED 3 x 9W - optic ~ 35° beam 3000K not dimmable

DRY LOCATION CRI>90 **LED** ~2013 lm 77 lm/W 90-264Vac

example composition code US JEWE 03 NE NE LED

JEWEL / DRIVER INCLUDED DIMMABLE

Type	Article	Colours / Finish	Source
US	JEWD 03	NE black / NE black	LED 3 x 9W - optic ~ 35° beam 3000K dimmable

DRY LOCATION CRI>90 **LED** ~2013 lm 77 lm/W 100-120VAC

example composition code US JEWD 03 SA NE LED

Available colors



NE/NE
Black/black

EELc (Energy Efficiency Label compatibility) contain built in LED lamps that cannot be changed: A, A+, A++

USJEW _ 03 NE NE LED CUSTOMER _____ NOTES _____

NOTICE: Luminous flux for all built in LED luminaires is shown at source level.
Technical data could be subject to alteration without notice. Axo Light does not provide legal guarantee for the accuracy of this data sheet.