

<b>Light sources</b>	 LED model: GU10 LED 1 x 7W included, 120V, 3000°K, CRI82, 365 lm source, 52.2lm/W, dimmable <p style="text-align: center;"><b>LAMPS ARE INCLUDED</b></p>
<b>Installation</b>	White varnished metal canopy with holes for installation. Connect electrical wires with junction box.
<b>Finish</b>	White varnished metal
<b>Suspension</b>	Insulated, transparent, round electric cord
<b>Lampshade</b>	Colored aluminium and transparent glass
<b>Lampshade colors</b>	 <b>RO</b>  <b>BR</b>  <b>CR</b>

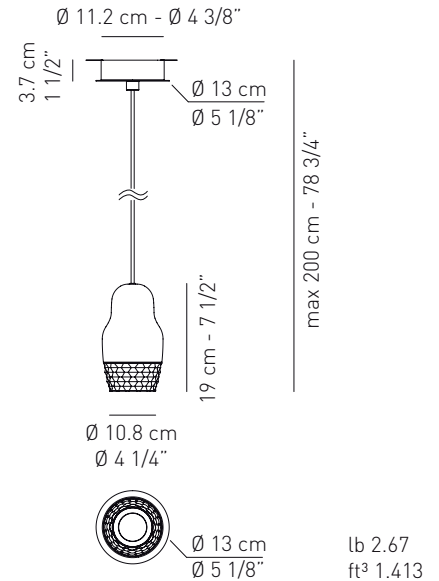
## US FEDOR 1

Design by Dima Loginoff

Collection comprised of pendants and a built-in spotlight. The diffuser of the pendants (with one, three, six or twelve lights, or with seven lights in a line) is formed of a part in aluminium available in metallic bronze, rose gold and chrome, and another part in transparent glass. The built-in spotlight is formed of one part in transparent glass. LED light source with GU10 fitting.


Typology: PENDANT

Certifications:   **TITLE 24 COMPLIANT DRY LOCATION ONLY**



### Product code composition

CODE	COLOR	FINISH	LAMPING
USFEDOR1ROBCGU1	glass + rose gold		
USFEDOR1BRBCGU1	glass + bronze	white varnished metal	GU10 LED 1 x 7W
USFEDOR1CRBCGU1	glass + chrome		



Please Note: Technical data could be subject to alteration without notice. Axo Light does not provide legal guarantee for the accuracy of this technical data sheet. Confirm with Axo Light before order, reference: 1-2015 technical sheet.

### USFEDOR1 \_\_ BCGU1

NAME: \_\_\_\_\_

NOTES: \_\_\_\_\_

  
 Visit us 425 Peachtree Hills Ave. NE #3 Atlanta, GA 30305  
 404.876.1064 sales@illumco.com