



DODOT UFDOD

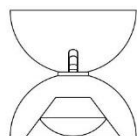
Design by Simone Micheli

Ceiling or wall lamp with metal frame in aluminum and steel. The lighting source can be adjusted. Built-in dimmable LED source.

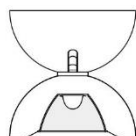
Typology: WALL / CEILING LAMP

Ratings

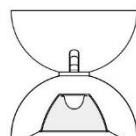
- Built in **LED** module
- Supply voltage: 220-240Vac
- CCT 2700 or 3000K*
- Wet location
- Adjustable
- Surface installation over holes
- Switch mode: on-off
- Dimmable
- Aluminum body painted
- Closing optic



OPTIC-LENS 48°



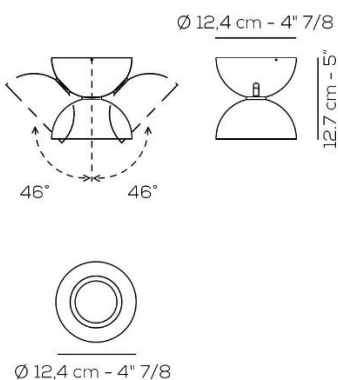
OPTIC-REFLECTOR 35°



OPTIC-REFLECTOR 15°

DODOT / DRIVER INCLUDED

lb 1.98 ft³ 70,629



Type	Article	Colours	Beam - degrees	Source
UF	DOD9 30	BC white	48°	LED 17.5W - 3000K*
		BL blue		
		NE black		
		CG concrete green		
		MD mauve dust		

Type	Article	Colours	Beam - degrees	Source
UF	DOD9 27	BC white	48°	LED 17.5W - 2700K
		BL blue		
		NE black		
		CG concrete green		
		MD mauve dust		



WET LOCATION CRI ≥ 90



120/277VAC



3000K CCT 114lm/W

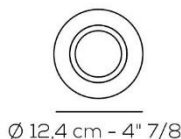
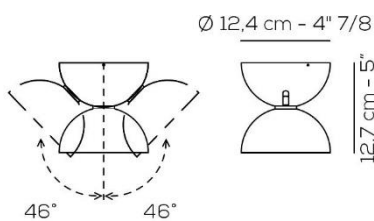
example composition code UF DOD9 30 NE 48 LED

Compatibility with Casambi system on request



425 Peachtree Hills Ave. NE #3 Atlanta, GA 30305
404.876.1064 sales@illumco.com

lb 1.98 ft³ 70,629



DODOT / DRIVER INCLUDED

Type	Article	Colours	Beam - degrees	Source
UF	DOD9 30	BC white	35°	LED 17.5W - 3000K*
		BL blue		
		NE black		
		CG concrete green		
		MD mauve dust		

Type	Article	Colours	Beam - degrees	Source
UF	DOD9 27	BC white	35°	LED 17.5W - 2700K
		BL blue		
		NE black		
		CG concrete green		
		MD mauve dust		

WET LOCATION CRI ≥ 90 120/277V_{AC} **LED** ~2000 lm* 114 lm/W*
 example composition code UF DOD9 30 NE 35 LED

Compatibilità with Casambi system on request

DODOT / DRIVER INCLUDED

Type	Article	Colours	Beam - degrees	Source
UF	DOD9 30	BC white	15°	LED 17.5W - 3000K*
		BL blue		
		NE black		
		CG concrete green		
		MD mauve dust		

Type	Article	Colours	Beam - degrees	Source
UF	DOD9 27	BC white	15°	LED 17.5W - 2700K
		BL blue		
		NE black		
		CG concrete green		
		MD mauve dust		

WET LOCATION CRI ≥ 90 120/277V_{AC} **LED** ~2000 lm* 114 lm/W*
 example composition code UF DOD9 30 NE 15 LED

Compatibile con sistema Casambi su richiesta / Compatibility with Casambi system on request

illuminations
 425 Peachtree Hills Ave. NE #3 Atlanta, GA 30305
 404.876.1064 sales@illumco.com

Available colours



White Blue Black Concrete green Mauve dust

EELc (Energy Efficiency Label compatibility) contain built in LED lamps that cannot be changed: A, A+, A++

UFDOD930 __ 48 LED	CUSTOMER _____	NOTES _____
UFDOD927 __ 48 LED		
UFDOD930 __ 35 LED		
UFDOD927 __ 35 LED		
UFDOD930 __ 15 LED	_____	_____
UFDOD927 __ 15 LED		

NOTICE: Luminous flux (lm) and efficacy (lm/W) for all built in LED luminaires is based on nominal ratings of the LED sources. Technical data could be subject to alteration without notice. Axo Light does not provide legal guarantee for the accuracy of this data sheet.