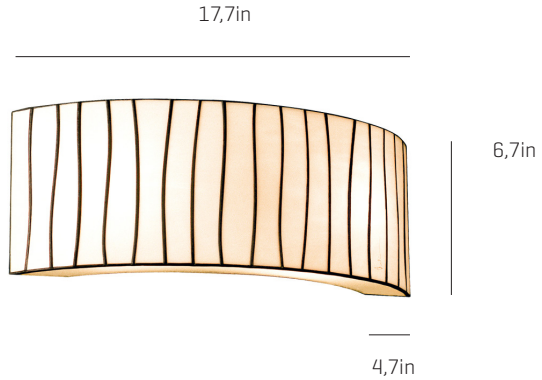


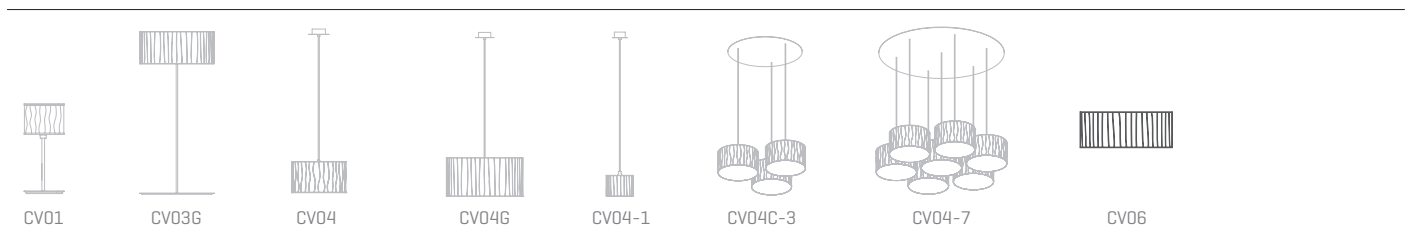
Curvas

ref. **CV06**

Wall sconce



Curvas Collection

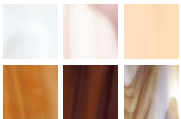


MATERIAL FINISHES

LAMPSHADE

Glass

One color to choose



SUPPORT

Stainless steel

MOUNTING OPTIONS

Wall sconce

RECOMMENDED BULBS

120V - 60Hz

 E12 Candel - Max. 2x60 W

 E12LED - Max. 2x7W

OTHER TECHNICAL DATA

NET WEIGHT

3,7lb

PACKAGING

24x10,6x7,9in

6,5lb

ELECTRICAL FEATURES



CERTIFICATIONS



Curvas

ref. **CV06**

Suitable for indoor use, at 77°F

Apta para uso interior a temperatura ambiente de 77°F

Box contains | Contenido de la caja:

A - Lampshade | Tulipa [1]

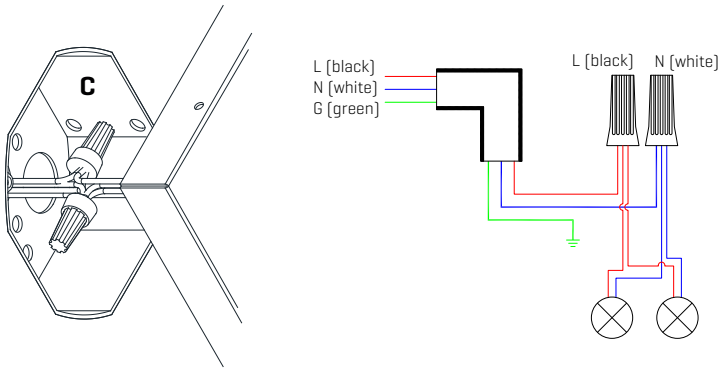
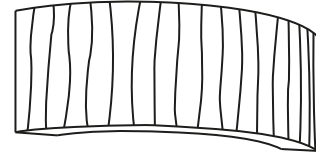
B - Frame | Soporte [1]

C - Electrical disposal | Ficha [3]

D - Security screws | Tornillos de seguridad [2]

E - Screws | Tornillos [4]

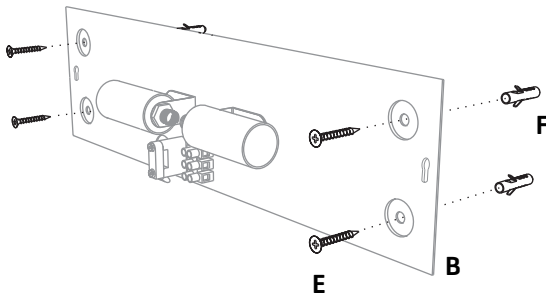
F - Wall Plugs | Tacos [4]



1

Pass the electric cables to the interior and do the electric connection, please follow the instructions.

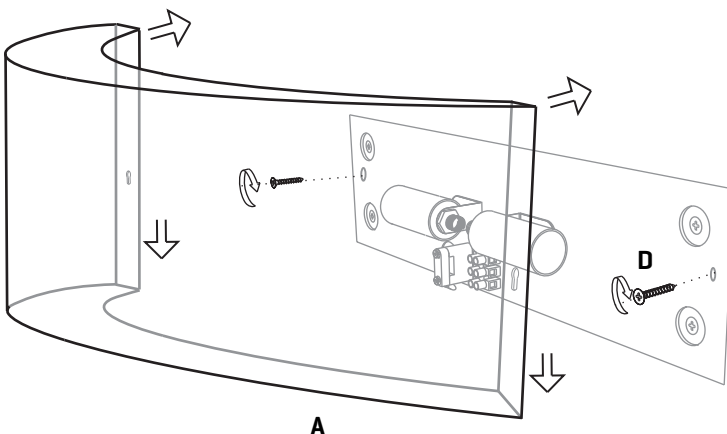
Passar los cables eléctricos al interior y hacer la conexión eléctrica dentro de la caja de conexiones, siguiendo las instrucciones.



2

Drill the holes in the wall, fit the wall plugs into the holes and screw the support.

Realizar los agujeros en el techo, colocar los tacos y atornillar el soporte.



3

Join the shade to the base, by screwing a pair of screws on each side.

Unir la tulipa en el soporte, atornillando la pareja de tornillos de cada lado.



The device is not suitable for installation on normally inflammable surfaces.

Apara superficies r

illuminations
425 Peachtree Hills Ave. NE #3 Atlanta, GA 30305
404.876.1064 sales@illumco.com