

nh S4 circular suspension

1278018A

SPECIFICATIONS



Design By

NERI&HU

Collection




Design



Specifications

Lamp type	LED-T (Non Integrated) ONLY
Lamp	max 15W E26/A19 + 2X5W LED E12/G16.5
Lamp Included	No
Control type	Dimmable 2-Wire
Input Voltage	120V
Power consumption	25W
Ballast	N/A

Colors & Finishes

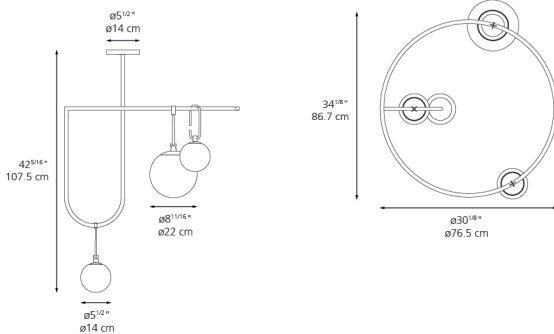
-  White Glass (Diffuser)
-  Brushed Brass (Ring)
-  Black (Stem, Cable, Canopy)

Materials

- Diffuser in white blown glass
- Adjustable ring in a brushed brass
- Structure in metal painted black

Features & Accessories

Dimensions



Light distribution

Diffused

Luminaire weight

12.26 lbs / 5.56 kg

Packaging

1 Box

1 x 39-7/16" x 41-7/16" x 43-3/8" / 45.19 lbs - 100 cm x 105 cm x 110 cm / 20.5 kg

Warranty