

# NH Suspension

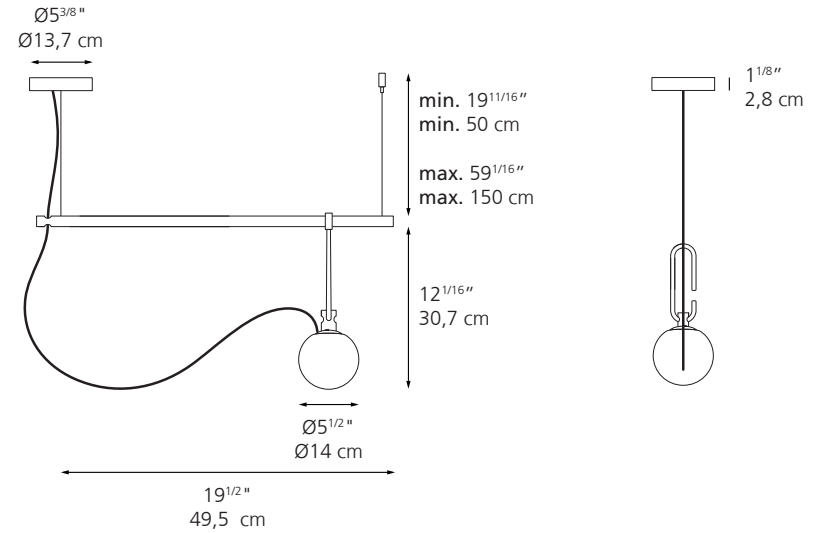


S1 14

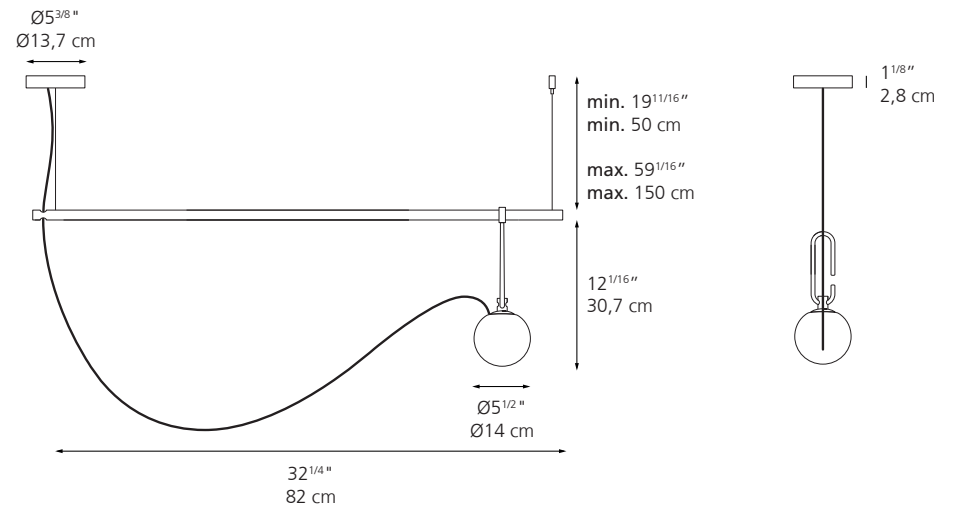
S2 14

<b>MATERIALS</b>	Diffuser in white blown glass. Adjustable ring in a brushed brass. Structure in metal painted black.	Diffuser in white blown glass. Adjustable ring in a brushed brass. Structure in metal painted black.
<b>LAMP TYPE</b>	LED (Non Integrated) ONLY	LED (Non Integrated) ONLY
<b>LIGHT SOURCE</b>	Max 3x5W LED E26/A19	Max 1x5W LED E12/G16.5
<b>EMISSION</b>	Diffused	Diffused
<b>CONTROL TYPE</b>	Dimmable 2-Wire	Dimmable 2-Wire
<b>INPUT VOLTAGE</b>	120V	120V
<b>TOTAL POWER</b>	15W	5W
<b>FINISH</b>	<input type="radio"/> White Glass (Diffuser) <input checked="" type="radio"/> Brushed Brass (Ring) <input checked="" type="radio"/> Black (Stem)	
<b>CERTIFICATIONS</b>	IP20	

S1 14



S2 14



# NH Suspension



S1 22

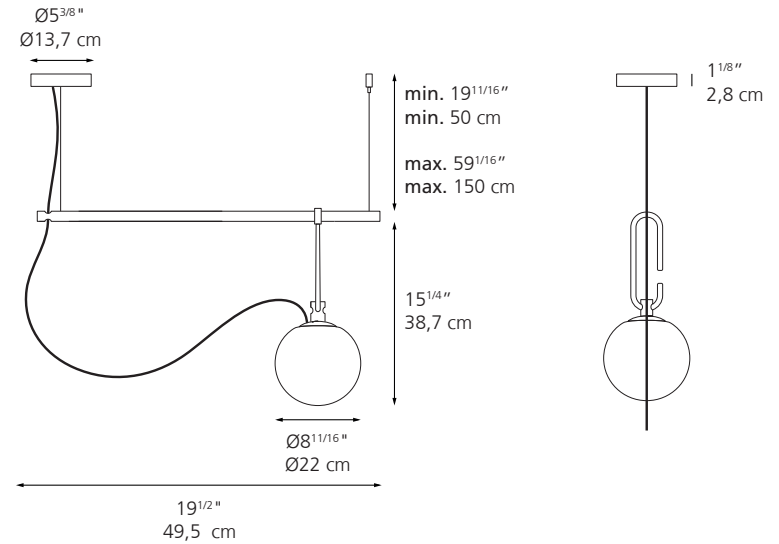
S2 22

<b>MATERIALS</b>	Diffuser in white blown glass. Adjustable ring in a brushed brass. Structure in metal painted black.	Diffuser in white blown glass. Adjustable ring in a brushed brass. Structure in metal painted black.
<b>LAMP TYPE</b>	LED (Non Integrated) ONLY	LED (Non Integrated) ONLY
<b>LIGHT SOURCE</b>	Max 3x5W LED E26/A19	Max 1x15W LED E26/A19
<b>EMISSION</b>	Diffused	Diffused
<b>CONTROL TYPE</b>	Dimmable 2-Wire	Dimmable 2-Wire
<b>INPUT VOLTAGE</b>	120V	120V
<b>TOTAL POWER</b>	15W	15W
<b>FINISH</b>	<input type="radio"/> White Glass (Diffuser) <input checked="" type="radio"/> Brushed Brass (Ring) <input checked="" type="radio"/> Black (Stem)	

CERTIFICATIONS

IP20

S1 22



S2 22

