

Yanzi Suspension

1103018A

SPECIFICATIONS



Design By

NERI&HU

Collection

Design



Specifications

Delivered lumens	640.41lm
Light output ratio	64.04lm/W
Power consumption	10.1W
Led type	8W Array*
CCT (Correlated Color Temperature)	3000K
CRI (Color Rendering Index)	>90
Life expectancy	50000Hrs
Control type	Dimmable 2-Wire
Input Voltage	120V
Driver	HATCH - 1 x LC12-0700P-120-B

Colors & Finishes

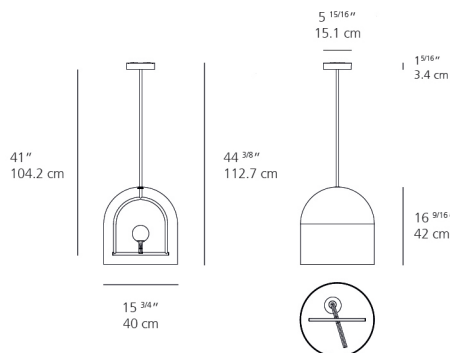
- Glass white (Diffuser)
- Brushed Brass (Swallows)
- Black (Stem)

Materials

- Clear blown glass diffuser
- Small opal blown glass diffuser
- Stem in steel
- Cast Zamak bird body

Features & Accessories

Dimensions



Packaging

3 Boxes

1 x 44-9/16" x 15-13/16" x 3-5/8" / 5.95 lbs - 113 cm x 40 cm x 9 cm / 2.7 kg

1 x 12-11/16" x 10-3/4" x 8-3/4" / 2.43 lbs - 32 cm x 27 cm x 22 cm / 1.1 kg

1 x 19-13/16" x 19-13/16" x 21-3/4" / 16.87 lbs - 50 cm x 50 cm x 55 cm / 7.65 kg

Light distribution

Diffused

Luminaire weight

16.24 lbs / 7.38 kg

Warranty

5 year limited warranty, Upon registration. Click here to register your purchase.