

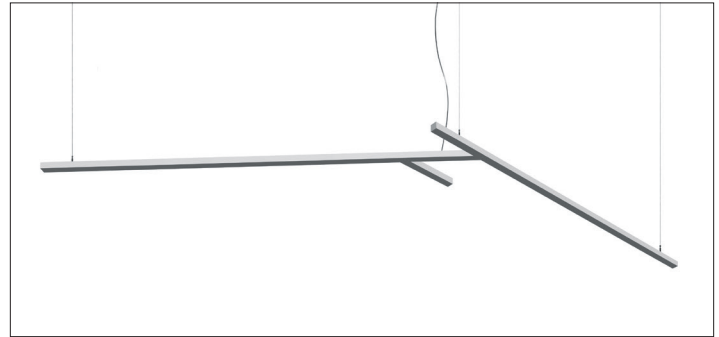
Code:	Project:	Type:
	Notes:	

KAO KIT C LED SUSPENSION

Design Bruno Houssin

#CAT	model	config.	finish	certification	out put	voltage	CCT	driver	Quantity
USC-M	119	3	—	8	H	00	—	—	—

model	119 = KAO Suspension
configuration	3 = C
finish	1 = Black 2 = White
certification	8 = UL
output	H = High output (2 x 40W LED)
voltage	00 = UNV (120-277V)
CCT	LA = 3000K LB = 3500K
driver	TV = Dim 0-10V (on/off included)



LAMPING:

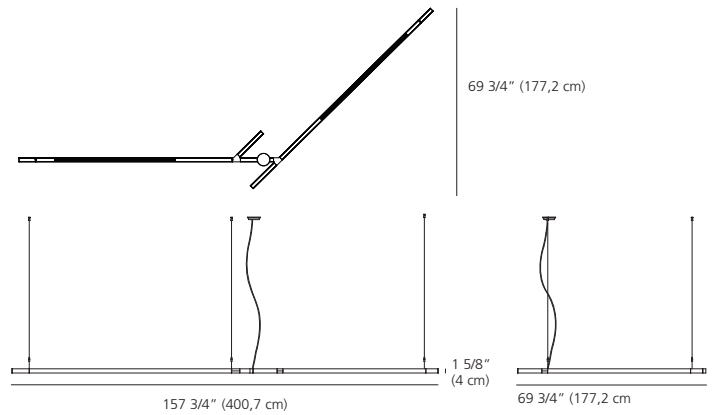
Power input : 2 x 40W (80W total)

Lumen output : 3366lm

Efficacy : 42lm/W*

LM79 : Not available yet

*Informations calculated for 3500K



FEATURES:

Construction: Extruded aluminum body. 1 9/16" x 1 9/16" (40 x 40 mm) square section modules.

Diffuser: Dust protection cover in polycarbonate.

Notes: Electrical connections via quick connectors. Each structure is composed of pre-assembled and pre-wired sub units, supplied with a drilling template for placing the ceiling fixing points. Supplied with 20' of quick - adjustment steel cable.

Weight: Not available yet

Certification: eULus - suitable for dry locations

Classification: IP20

PHOTOMETRIC DATA:

Photometric curve (cd):
LED 1 x 40W

