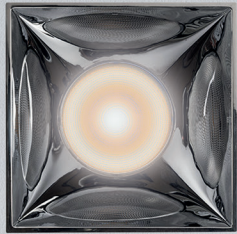




Everything
Ernesto Gismondi



80



105



150

2 SHAPES
TRIM OR TRIMLESS

3 SIZE
OPTIONS

2 LIGHTING
POSITIONS

3 BEAM
ANGLE OPTIONS



3500K
— 3000K —
2700K



ROUND | SQUARE



80 | 105 | 150



DOWNLIGHT | ADJUSTABLE



23° | 28° | 46°

TRIM/TRIMLESS

46° AVAILABLE FOR 80 MODEL ONLY





80



105



150

TYPE	Adjustable / Downlight	Adjustable / Downlight	Adjustable / Downlight
MOUNTING	Trim	Trim	Trim
LIGHT SOURCE	LED	LED	LED
LIGHT DIRECTION	Direct	Direct	Direct
COLOR RENDERING INDEX	90 CRI	90 CRI	90 CRI
COLOR TEMPERATURE	2700K / 3000K / 3500K	2700K / 3000K / 3500K	2700K / 3000K / 3500K
POWER CONSUMPTION (W)	15W	15W	15W
BEAM ANGLE	23° 28° 46°	25° 28°	18° 28°
DELIVERED LUMENS (lm) Ref.3000K	1061 982 892	1066 833	2431 1892
EFFICACY (lm/W) Ref.3000K	70.7 65.5 59.9	71 55.5	81 63.1
EFFICIENCY (%) Ref.3000K	76% 71% 64%	77% 60%	88% 69%

REMODELER POWER PACK

Power Pack
Non-IC Rated



Power Pack
Non-IC Rated



DIMMING OPTIONS

DIM 2-Wire (120V only)*
DIM 0-10V UNV

DIM 2-Wire (120V only)*
DIM 0-10V UNV

NEW CONSTRUCTION MOUNTING PAN

Optional accessory
Non-IC Rated



Driver included
Non-IC Rated



Driver included
Non-IC Rated



DIMMING OPTIONS

DIM 0-10V (120V only)
DIM 0-10V (277V only)

DIM 0-10V ((120V only)
DIM 0-10V (277V only)

DIM 0-10V ((120V only)
DIM 0-10V (277V only)

CERTIFICATIONS



Suitable for dry location



Suitable for dry location

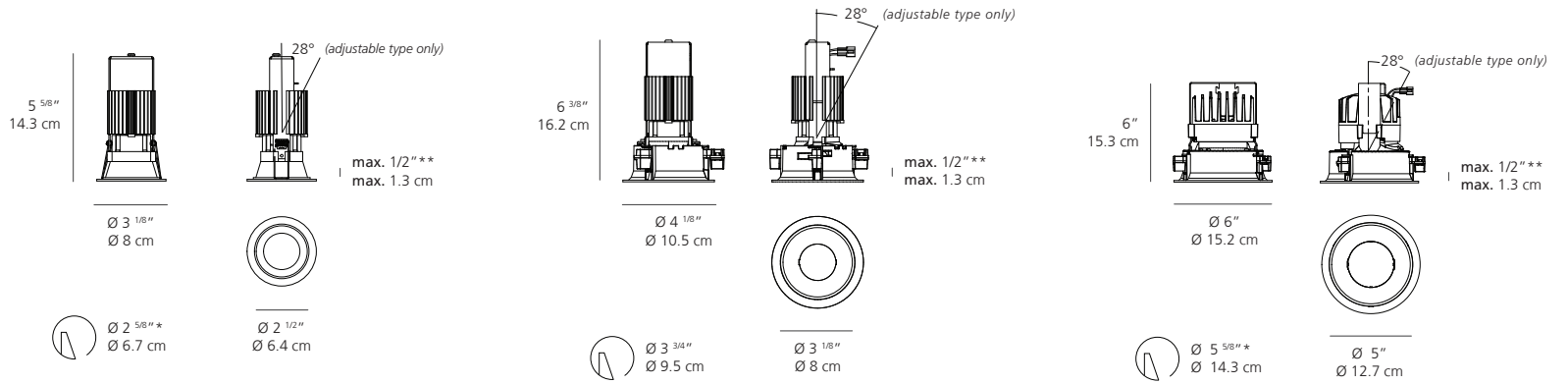


Suitable for dry location



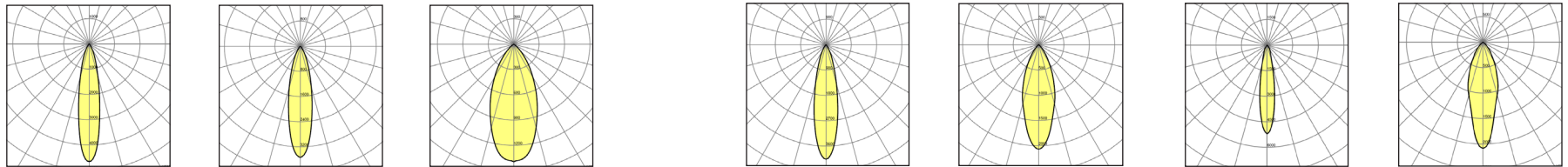
	80	105	150
CONE COLOR	● Chrome reflector	● Chrome reflector	● Chrome reflector
TRIM COLOR	○ White ● Silver	○ White ● Silver	○ White ● Silver

OVERALL DIMENSIONS



PHOTOMETRIC DISTRIBUTION

Photometric curves for 3000K



MAX VALUE

Max Candela: 4657 cd/klm
Everything 80 30K 23° CH
V = 0° H = 0°

Max Candela: 3539 cd/klm
Everything 80 30K 28° CH
V = 0° H = 0°

Max Candela: 1396 cd/klm
Everything 80 30K 46° CH
V = 0° H = 0°

Max Candela: 4067 cd/klm
Everything 105 30K 25° CH
V = 0° H = 0°

Max Candela: 2064 cd/klm
Everything 105 30K 28° CH
V = 0° H = 0°

Max Candela: 5208 cd/klm
Everything 150 30K 18° CH
V = 0° H = 0°

Max Candela: 2083 cd/klm
Everything 150 30K 28° CH
V = 0° H = 0°



80



105



150

TYPE	Adjustable / Downlight	Adjustable / Downlight	Adjustable / Downlight
MOUNTING	Trimless	Trimless	Trimless
LIGHT SOURCE	LED	LED	LED
LIGHT DIRECTION	Direct	Direct	Direct
COLOR RENDERING INDEX	90 CRI	90 CRI	90 CRI
COLOR TEMPERATURE	2700K / 3000K / 3500K	2700K / 3000K / 3500K	2700K / 3000K / 3500K
POWER CONSUMPTION (W)	15W	15W	15W
BEAM ANGLE	23° 28° 46°	23° 28°	18° 28°
DELIVERED LUMENS (lm) Ref.3000K	1061 982 892	1066 833	2431 1892
EFFICACY (lm/W) Ref.3000K	71 65 60	71 55	81 63.1
EFFICIENCY (%) Ref.3000K	76% 71% 64%	77% 60%	88% 69%

REMODELER POWER PACK

Power Pack
Non-IC Rated



Power Pack
Non-IC Rated



DIMMING OPTIONS

DIM 2-Wire (120V only)*
DIM 0-10V UNV

DIM 2-Wire (120V only)*
DIM 0-10V UNV

NEW CONSTRUCTION MOUNTING PAN

Optional accessory
Non-IC Rated



Driver included
Non-IC Rated



Driver included
Non-IC Rated



DIMMING OPTIONS

DIM 0-10V (120V only)
DIM 0-10V (277V only)

DIM 0-10V ((120V only)
DIM 0-10V (277V only)

DIM 0-10V ((120V only)
DIM 0-10V (277V only)

CERTIFICATIONS



Suitable for dry location



Suitable for dry location



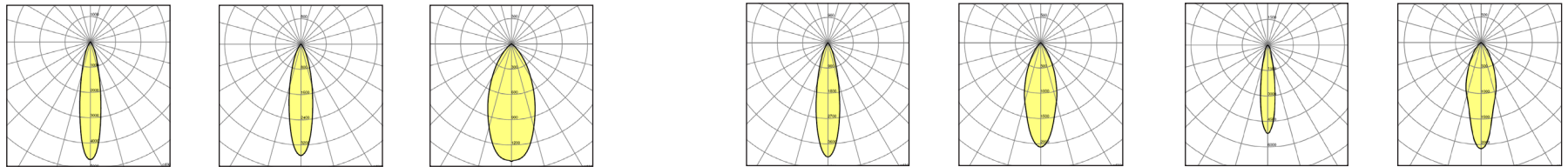
Suitable for dry location



	80	105	150
CONE COLOR	● Chrome reflector	● Chrome reflector	● Chrome reflector
TRIM COLOR	○ White ● Silver	○ White ● Silver	○ White ● Silver
OVERALL DIMENSIONS	<p>5 7/8" 14.9 cm</p> <p>28° (adjustable type only)</p> <p>max. 1/2"*** max. 1.3 cm</p> <p>Ø 4" Ø 10.2 cm</p> <p>Ø 2 5/8" ** Ø 6.7 cm</p>	<p>6 3/8" 16.2 cm</p> <p>28° (adjustable type only)</p> <p>max. 1/2"*** max. 1.3 cm</p> <p>Ø 5 1/4" Ø 13.3 cm</p> <p>Ø 3 3/4" Ø 9.5 cm</p>	<p>6" 15.3 cm</p> <p>28° (adjustable type only)</p> <p>max. 1/2"*** max. 1.3 cm</p> <p>Ø 6 7/8" Ø 17.5 cm</p> <p>Ø 5 5/8" ** Ø 14.3 cm</p>

PHOTOMETRIC DISTRIBUTION

Photometric curves for 3000K



MAX VALUE

Max Candela: 4657 cd/klm
Everything 80 30K 23° CH
V = 0° H = 0°

Max Candela: 3539 cd/klm
Everything 80 30K 28° CH
V = 0° H = 0°

Max Candela: 1396 cd/klm
Everything 80 30K 46° CH
V = 0° H = 0°

Max Candela: 4067 cd/klm
Everything 105 30K 25° CH
V = 0° H = 0°

Max Candela: 2064 cd/klm
Everything 105 30K 28° CH
V = 0° H = 0°

Max Candela: 5208 cd/klm
Everything 150 30K 18° CH
V = 0° H = 0°

Max Candela: 2083 cd/klm
Everything 150 30K 28° CH
V = 0° H = 0°



80



105



150

TYPE	Adjustable / Downlight	Adjustable / Downlight	Adjustable / Downlight
MOUNTING	Trim	Trim	Trim
LIGHT SOURCE	LED	LED	LED
LIGHT DIRECTION	Direct	Direct	Direct
COLOR RENDERING INDEX	90 CRI	90 CRI	90 CRI
COLOR TEMPERATURE	2700K / 3000K / 3500K	2700K / 3000K / 3500K	2700K / 3000K / 3500K
POWER CONSUMPTION (W)	15W	15W	15W
BEAM ANGLE	23° 28° 46°	23° 28°	18° 28°
DELIVERED LUMENS (lm) Ref.3000K	1084 1019 920	976 705	2431 1892
EFFICACY (lm/W) Ref.3000K	72 68 61	65 47	81 63.1
EFFICIENCY (%) Ref.3000K	78% 73% 66%	70% 51%	88% 69%

REMODELER POWER PACK

Power Pack
Non-IC Rated



Power Pack
Non-IC Rated



DIMMING OPTIONS

DIM 2-Wire (120V only)*
DIM 0-10V UNV

DIM 2-Wire (120V only)*
DIM 0-10V UNV

NEW CONSTRUCTION MOUNTING PAN

Optional accessory
Non-IC Rated



Driver included
Non-IC Rated



Driver included
Non-IC Rated



DIMMING OPTIONS

DIM 0-10V (120V only)
DIM 0-10V (277V only)

DIM 0-10V ((120V only)
DIM 0-10V (277V only)

DIM 0-10V ((120V only)
DIM 0-10V (277V only)

CERTIFICATIONS



Suitable for dry location



Suitable for dry location



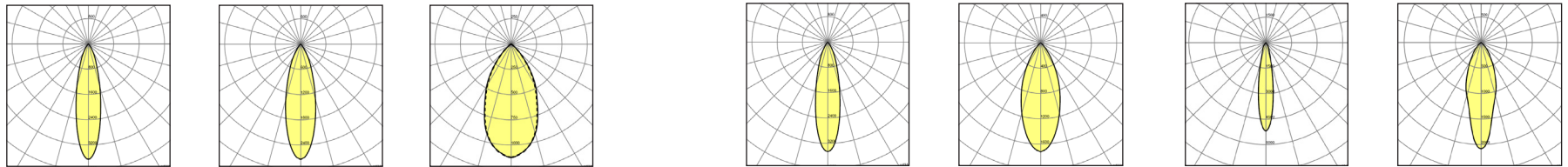
Suitable for dry location



	80	105	150
CONE COLOR	● Chrome reflector	● Chrome reflector	● Chrome reflector
TRIM COLOR	○ White ● Silver	○ White ● Silver	○ White ● Silver
OVERALL DIMENSIONS	<p>5 5/8" 14.3 cm</p> <p>max. 1/2"*** max. 1.3 cm</p> <p>SQ 3 1/8" SQ 8 cm</p> <p>SQ 2 5/8" SQ 6.7 cm</p> <p>SQ 2 1/2" SQ 6.4 cm</p>	<p>6 3/8" 16.2 cm</p> <p>max. 1/2"*** max. 1.3 cm</p> <p>SQ 4 1/8" SQ 10.5 cm</p> <p>SQ 3 3/4" SQ 9.5 cm</p> <p>SQ 3 1/8" SQ 8 cm</p>	<p>6" 15.3 cm</p> <p>max. 1/2"*** max. 1.3 cm</p> <p>SQ 6" SQ 15.2 cm</p> <p>SQ 5 3/8" SQ 13.7 cm</p> <p>SQ 4 3/4" SQ 12.1 cm</p>

PHOTOMETRIC DISTRIBUTION

Photometric curves for 3000K



MAX VALUE

Max Candela: 3651 cd/klm
Everything 80 30K 23° CH
V = 0° H = 0°

Max Candela: 2741 cd/klm
Everything 80 30K 28° CH
V = 0° H = 0°

Max Candela: 1123 cd/klm
Everything 80 30K 46° CH
V = 0° H = 0°

Max Candela: 3458 cd/klm
Everything 105 30K 25° CH
V = 0° H = 0°

Max Candela: 1723 cd/klm
Everything 105 30K 28° CH
V = 0° H = 0°

Max Candela: 5208 cd/klm
Everything 150 30K 18° CH
V = 0° H = 0°

Max Candela: 2083 cd/klm
Everything 150 30K 28° CH
V = 0° H = 0°



80



105



150

TYPE	Adjustable / Downlight	Adjustable / Downlight	Adjustable / Downlight
MOUNTING	Trimless	Trimless	Trimless
LIGHT SOURCE	LED	LED	LED
LIGHT DIRECTION	Direct	Direct	Direct
COLOR RENDERING INDEX	90 CRI	90 CRI	90 CRI
COLOR TEMPERATURE	2700K / 3000K / 3500K	2700K / 3000K / 3500K	2700K / 3000K / 3500K
POWER CONSUMPTION (W)	15W	15W	15W
BEAM ANGLE	23° 28° 46°	23° 28°	18° 28°
DELIVERED LUMENS (lm) Ref.3000K	1084 1019 920	976 705	2431 1892
EFFICACY (lm/W) Ref.3000K	72 68 61	65 47	81 63.1
EFFICIENCY (%) Ref.3000K	78% 73% 66%	70% 51%	88% 69%

REMODELER POWER PACK

Power Pack
Non-IC Rated



Power Pack
Non-IC Rated



DIMMING OPTIONS

DIM 2-Wire (120V only)*
DIM 0-10V UNV

DIM 2-Wire (120V only)*
DIM 0-10V UNV

NEW CONSTRUCTION MOUNTING PAN

Optional accessory
Non-IC Rated



Driver included
Non-IC Rated



Driver included
Non-IC Rated



DIMMING OPTIONS

DIM 0-10V (120V only)
DIM 0-10V (277V only)

DIM 0-10V ((120V only)
DIM 0-10V (277V only)

DIM 0-10V ((120V only)
DIM 0-10V (277V only)

CERTIFICATIONS



Suitable for dry location



Suitable for dry location

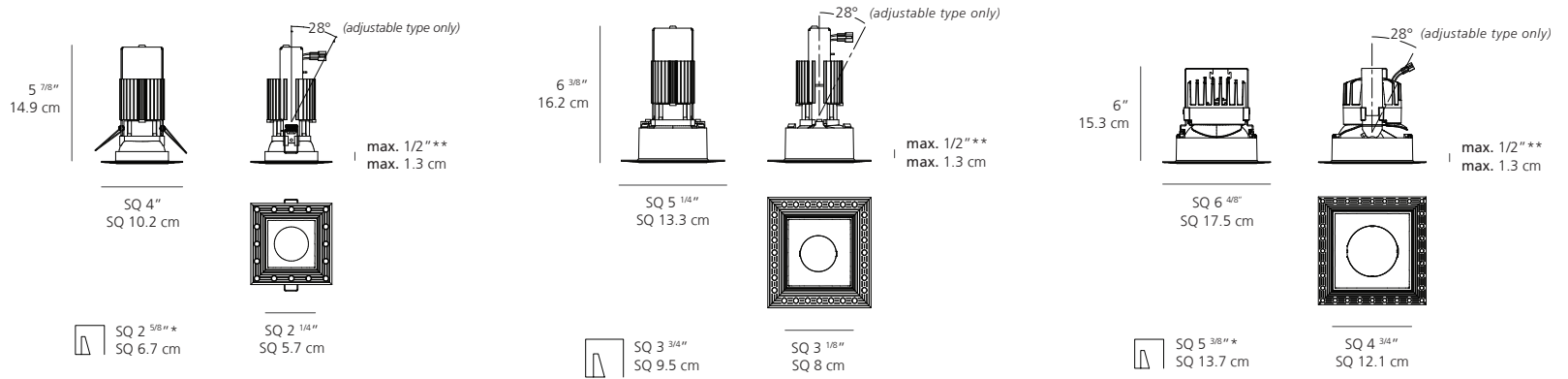


Suitable for dry location



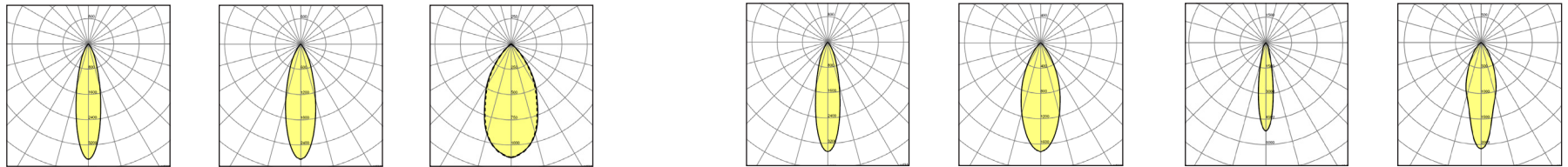
	80	105	150
CONE COLOR	● Chrome reflector	● Chrome reflector	● Chrome reflector
TRIM COLOR	○ White ● Silver	○ White ● Silver	○ White ● Silver

OVERALL DIMENSIONS



PHOTOMETRIC DISTRIBUTION

Photometric curves for 3000K



MAX VALUE

Max Candela: 3651 cd/klm Everything 80 30K 23° CH V = 0° H = 0°	Max Candela: 2741 cd/klm Everything 80 30K 28° CH V = 0° H = 0°	Max Candela: 1123 cd/klm Everything 80 30K 46° CH V = 0° H = 0°	Max Candela: 3458 cd/klm Everything 105 30K 25° CH V = 0° H = 0°	Max Candela: 1723 cd/klm Everything 105 30K 28° CH V = 0° H = 0°	Max Candela: 5208 cd/klm Everything 150 30K 18° CH V = 0° H = 0°	Max Candela: 2083 cd/klm Everything 150 30K 28° CH V = 0° H = 0°
---	---	---	--	--	--	--



VULCANGAS



**VULCANGAS,
RIMINI, ITALY**
Project: Studio Simonetti
Photo: Diego De Pol