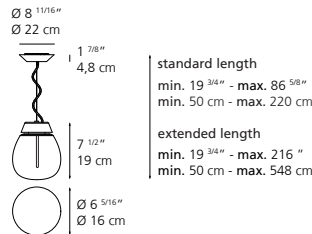
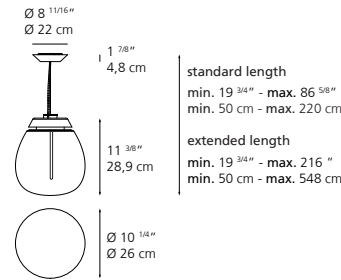


Empatia Suspension

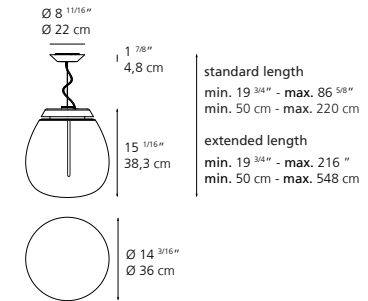
Technical data



EMPATIA 16



EMPATIA 26



EMPATIA 36

MATERIALS

Base in painted white die-cast aluminum.

Diffuser in handblown glass, clear towards the bottom and frosted at the top to allow reflection of the light without glaring and without losing efficiency.

Light pipe in transparent low absorption coefficient methacrylate guides the light to the diffuser.

Plate within diffuser in painted white aluminum to reflect light.

Base in painted white die-cast aluminum.

Diffuser in handblown glass, clear towards the bottom and frosted at the top to allow reflection of the light without glaring and without losing efficiency.

Light pipe in transparent low absorption coefficient methacrylate guides the light to the diffuser.

Plate within diffuser in painted white aluminum to reflect light.

Base in painted white die-cast aluminum.

Diffuser in handblown glass, clear towards the bottom and frosted at the top to allow reflection of the light without glaring and without losing efficiency.

Light pipe in transparent low absorption coefficient methacrylate guides the light to the diffuser.

Plate within diffuser in painted white aluminum to reflect light.

EMISSION	Diffused	Diffused	Diffused
LIGHT SOURCE	LED 11W 3000K>80CRI	LED 16W 3000K>80CRI	LED 24W 3000K>80CRI
DIMMING FEATURE	Dimmable 2-Wire (Reverser or forward phase 120V only)	Dimmable 2-Wire (Reverser or forward phase 120V only)	Dimmable 2-Wire (Reverser or forward phase 120V only)
DELIVERED LUMENS	530lm	710lm	1189lm
FINISH	<input type="radio"/> Clear & Frosted (Diffuser) <input type="radio"/> White (Base)	<input type="radio"/> Clear & Frosted (Diffuser) <input type="radio"/> White (Base)	<input type="radio"/> Clear & Frosted (Diffuser) <input type="radio"/> White (Base)
CERTIFICATIONS	c.UL.us listed, IP20	c.UL.us listed, IP20	c.UL.us listed, IP20