



Come Together

Carlotta de Bevilacqua



CARLOTTA DE BEVILACQUA

Architect, designer and above all humanist, Carlotta de Bevilacqua has been a force in contemporary lighting since the 1980's. A pioneer in LED research and implementation, she created the concept "The Human Light" in which lighting encourages not only the well-being of those who live, work and interact with it, but also the planet. As interested in science of light as the sensory experience, de Bevilacqua seeks to create synergy between products and users through accessible, experimental design. A life-force at Artemide for nearly 4 decades,

in addition to her own studio she oversees Danese Milano creating minimal, yet elegant, products which further complement the built environment. In addition to widespread recognition for her work, in 2011, she received a Red Dot Design Award for the Algoritmo and Copernico.



REVOLUTION

In 1998, Artemide introduced the revolutionary Sui lamp, with 18 portable and rechargeable LEDs. Come Together brings together lightness, optical intelligence, and sophisticated design in a new, 2.0 revolution of portable, rechargeable, LED light.



HUMAN LIGHT

Come Together is lightweight (1lb) and is shaped to fit perfectly in hand to accompany man through space and provide lighting on demand in any environment, indoor or outdoor.



SMART

A perfect light that operates for up to 16 hours without being connected to a main power source using a Li-On rechargeable battery and USB charging port.



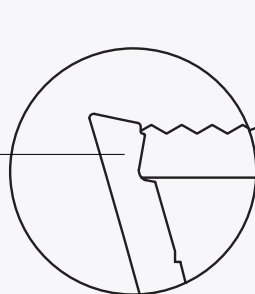




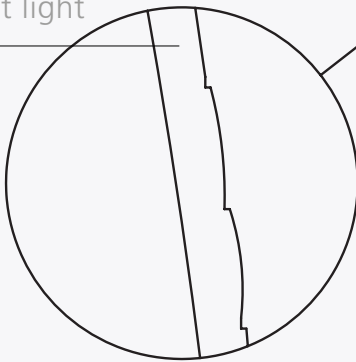
EFFICIENT

The lamp delivers three different light sources with a very high-efficiency of 85%. The body is a transparent optical device with a gradient pattern that works as an "empty" pipe to carry and distribute light.

Calculated optical surfaces to direct light on working plane



Calculated optical prism to retro-reflect light



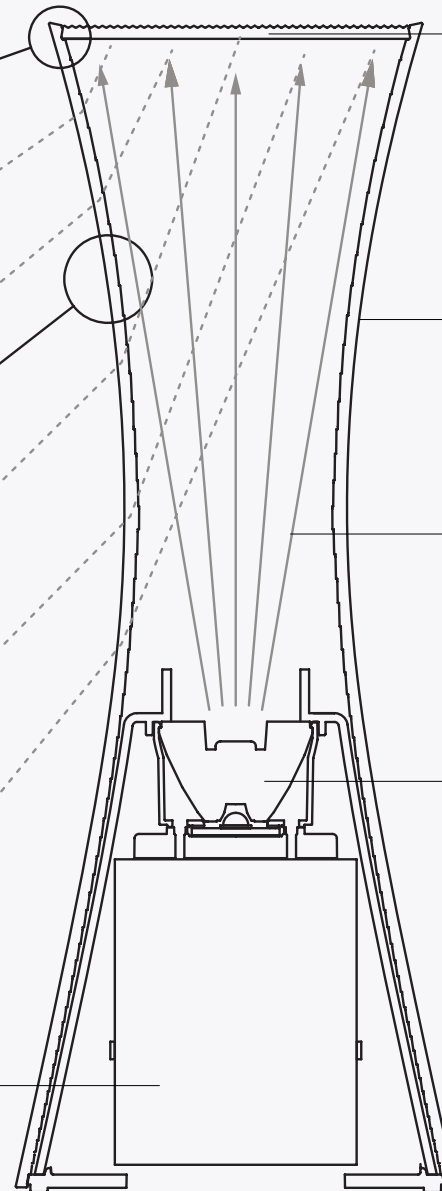
Calculated optical prism to retro-reflect light

Transparent body with prismatic inner surface

Emitted light rays

TIR lens

Battery pack









1,2 W

400lx

16 hours battery life



2,4 W

700lx

8 hours battery life



3,6 W

1000lx

4 hours battery life

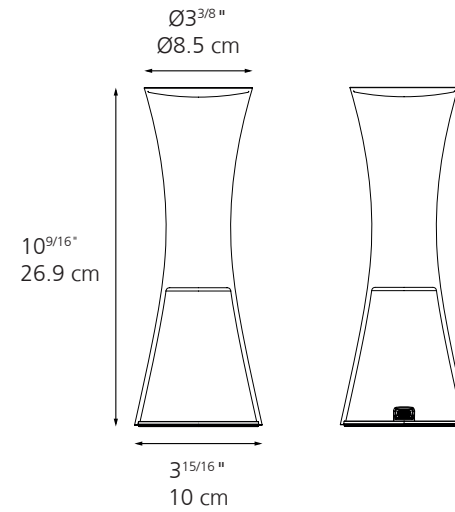




Come Together



Technical Data



| | |
|-------------------------|---|
| MATERIALS | Transparent optical injection molded PMMA external shell, die-cast aluminum internal shell |
| EMISSION | Diffuser |
| LIGHT SOURCE | 3W LED (integrated) |
| TOTAL POWER | 3.6W |
| CCT | 3000K |
| CRI | >80 |
| DIMMING FEATURE | Dimmable (on body) |
| DELIVERED LUMENS | 360lm |
| FINISH | <input type="radio"/> Transparent external body, white-painted internal shell <input checked="" type="radio"/> Transparent external body, polished copper-painted internal shell <input type="radio"/> Transparent external body, aluminum-painted internal shell |

CERTIFICATIONS

IP20











UNITED STATES HEADQUARTERS

Artemide Inc.

250 Karin Lane

Hicksville, NY 11801

T. 631-694-9292

Toll Free 1-877-Art-9111

email: infousa@artemide.net

CANADIAN HEAD OFFICE

Artemide Canada Ltd.

11105, rue Renaude Lapointe

Montréal, QC H1J 2T4

T. 514-323-6537

Toll Free 1-888-777-2783

email: infocanada@artemide.net

Artemide[®]

For retail sales contact information, please visit

www.artemide.net/store-locator

For contract sales contact information, please visit

www.artemide.net/sales-representative