

CHLOROPHILIA suspension

EMISSION

indirect and diffused

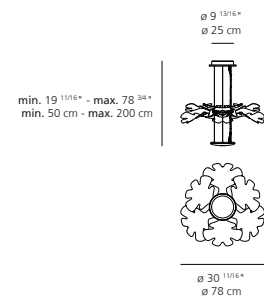
LIGHT SOURCE

LED
42W 3000K >90 CRI

DIMMING FEATURE

dimmable

DIMENSIONS



available with extended length

FINISH

standard

CERTIFICATIONS

c.UL.us listed



CHLOROPHILIA 2 suspension

EMISSION

indirect and diffused

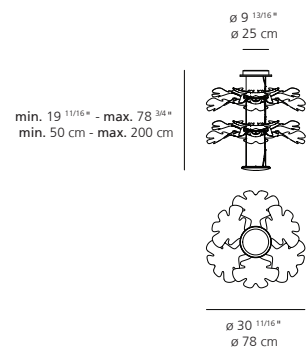
LIGHT SOURCE

LED
42W 3000K >90 CRI

DIMMING FEATURE

dimmable

DIMENSIONS



available with extended length

FINISH

standard

CERTIFICATIONS

c.UL.us listed

