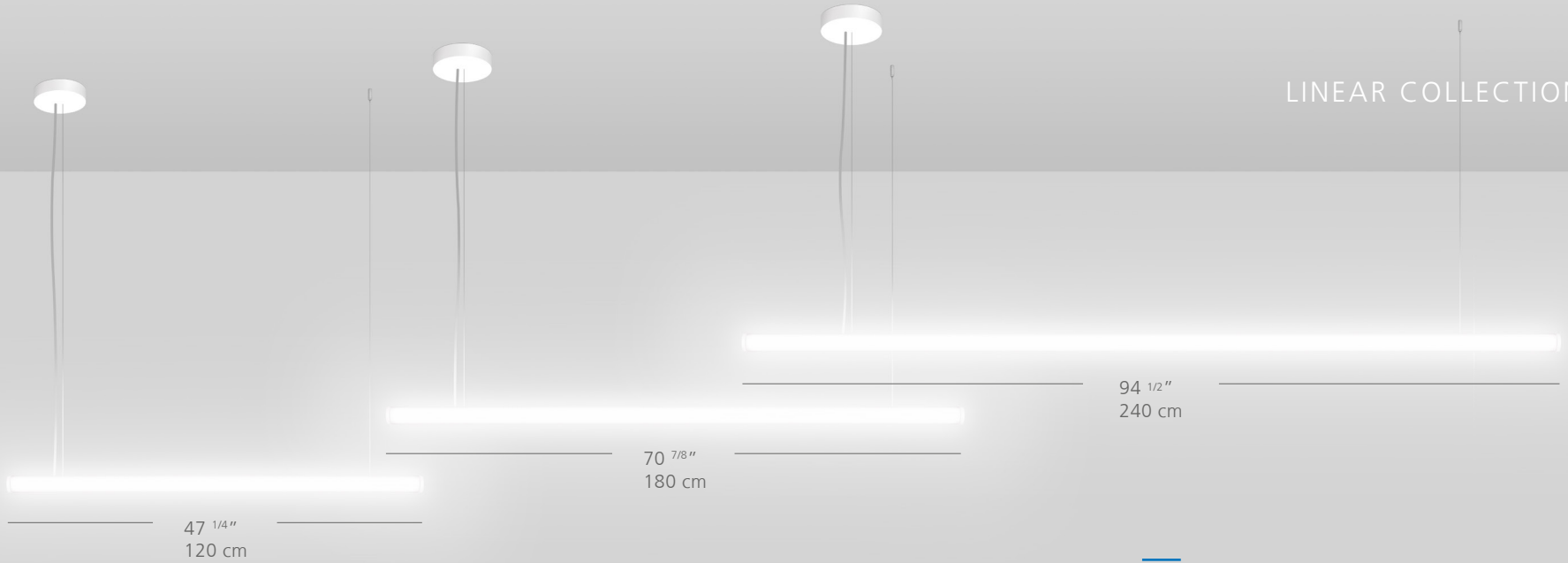


LINEAR COLLECTION



**LINEAR 120**

4301 lumens  
30 watts

**LINEAR 180**




6451 lumens  
45 watts

**LINEAR 240**

8602 lumens  
58 watts

# LINEAR



|                              | LINEAR 120  | LINEAR 180  | LINEAR 240  |
|------------------------------|---|---|---|
| <b>LIGHT SOURCE</b>          | LED   | LED   | LED   |
| <b>LIGHT DIRECTION</b>       | Direct / Indirect   | Direct / Indirect   | Direct / Indirect   |
| <b>COLOR RENDERING INDEX</b> | 80CRI   | 80CRI   | 80CRI   |
| <b>COLOR TEMPERATURE</b>     | 3000K  | 3000K  | 3000K  |
| <b>POWER CONSUMPTION (W)</b> | 35W   | 50W   | 63W   |
| <b>DELIVERED LUMENS (lm)</b> | 3484lm  | 5226lm  | 6968lm  |
| <b>EFFICACY (lm/W)</b>       | 99.5  | 104.5   | 110.6   |
| <b>EFFICIENCY (%)</b>        | 81%   | 81%   | 81%   |

## FEATURES

|                    |  |
|--------------------|--|
| <b>FUNCTION</b>    | Indoor general lighting                                |
| <b>BODY FINISH</b> | Opal diffusing PMMA                                    |
| <b>VOLTAGE</b>     | ON/OFF 120-277V  |
| <b>DIMMING</b>     | 0-10V (120-277V)<br>Phase dimming / 2-wire (120V only) |

## CERTIFICATIONS

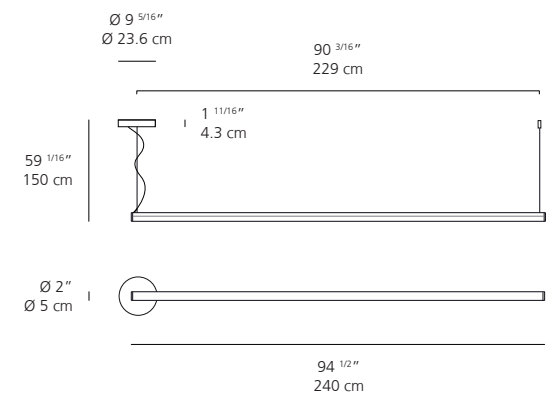
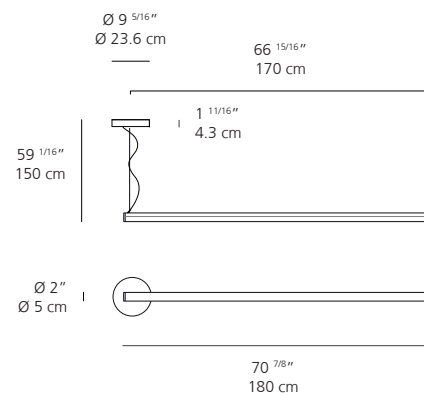
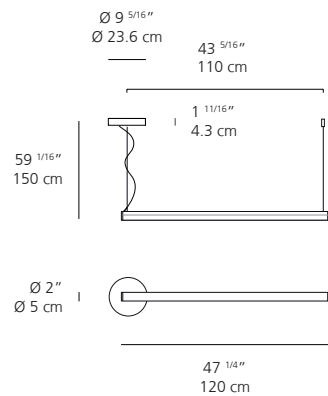


LINEAR 120

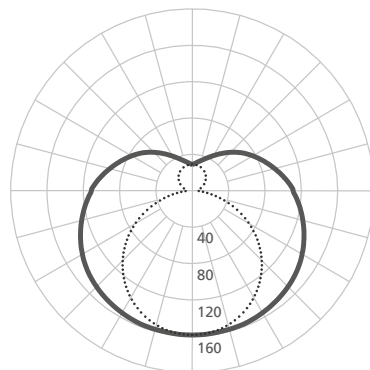
LINEAR 180

LINEAR 240

OVERALL DIMENSIONS



PHOTOMETRIC DISTRIBUTION



MAX VALUE  
158.36 cd/klm