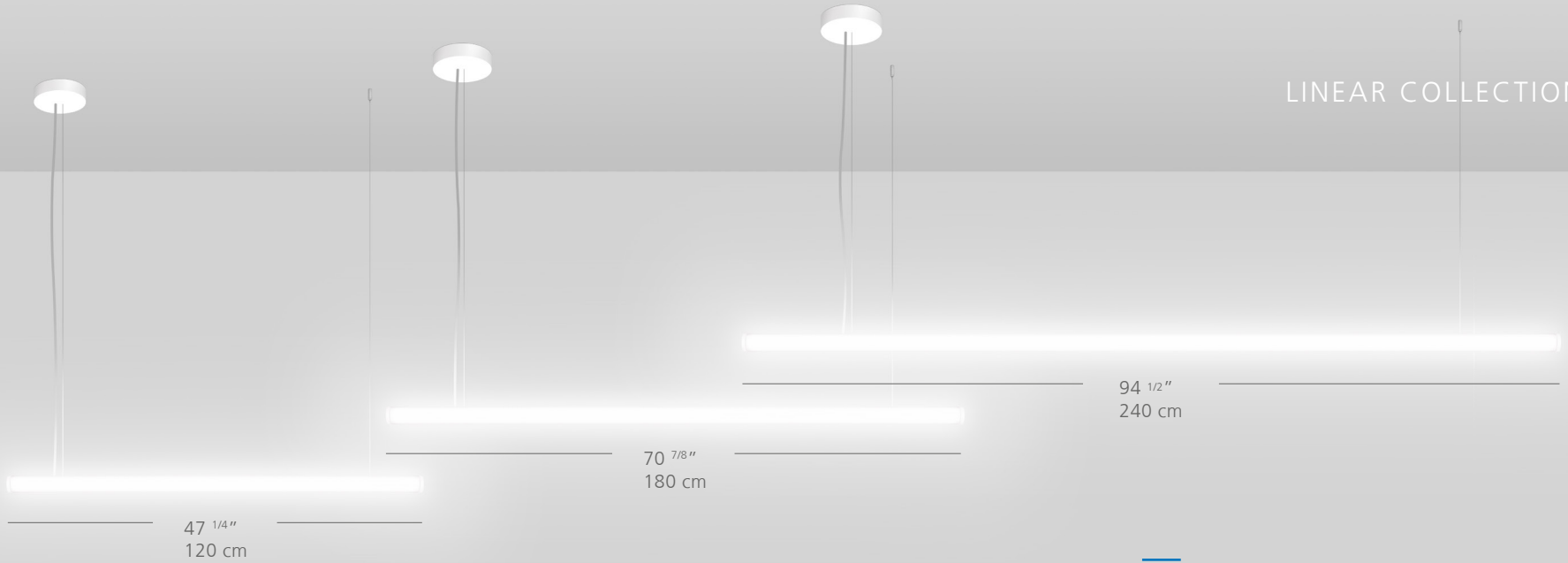


LINEAR COLLECTION



LINEAR 120

4301 lumens
30 watts

LINEAR 180




6451 lumens
45 watts

LINEAR 240

8602 lumens
58 watts

LINEAR



	LINEAR 120	LINEAR 180	LINEAR 240
LIGHT SOURCE	LED	LED	LED
LIGHT DIRECTION	Direct / Indirect	Direct / Indirect	Direct / Indirect
COLOR RENDERING INDEX	80CRI	80CRI	80CRI
COLOR TEMPERATURE	3000K 	3000K 	3000K 
POWER CONSUMPTION (W)	35W	50W	63W
DELIVERED LUMENS (lm)	3484lm	5226lm	6968lm
EFFICACY (lm/W)	99.5	104.5	110.6
EFFICIENCY (%)	81%	81%	81%

FEATURES

FUNCTION	Indoor general lighting
BODY FINISH	Opal diffusing PMMA
VOLTAGE	ON/OFF 120-277V
DIMMING	0-10V (120-277V) Phase dimming / 2-wire (120V only)

CERTIFICATIONS

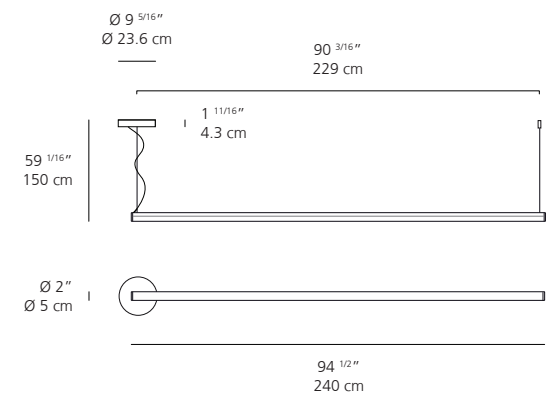
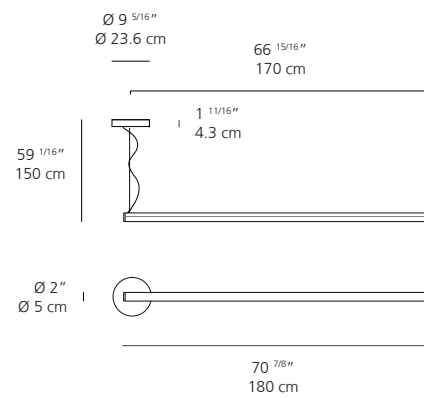
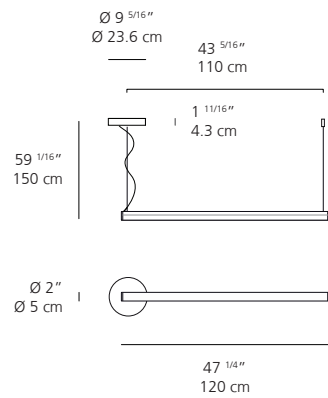


LINEAR 120

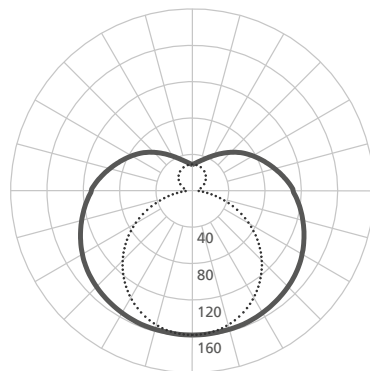
LINEAR 180

LINEAR 240

OVERALL DIMENSIONS



PHOTOMETRIC DISTRIBUTION



MAX VALUE
158.36 cd/klm