

Original 1227™ Lamp with Wall Bracket

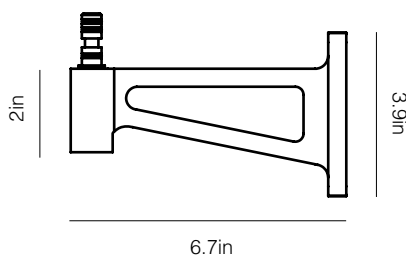
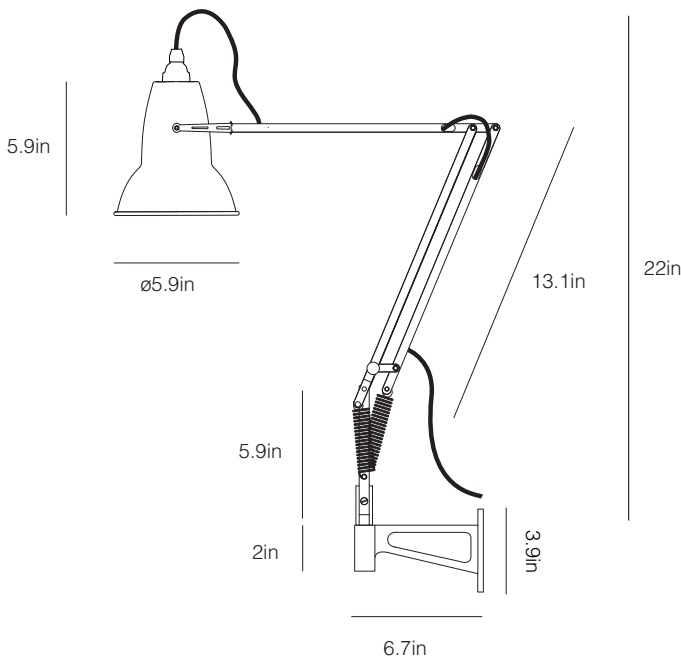
ANGLEPOISE®

Original 1227™ Collection | February 2019 USD Price List

Launched In 2012 | Designed by George Carwardine



12.2in



Bulb
included

Product	Code	USD exc. Tax
Lamp with Wall Bracket - Jet Black	32067	\$320.00
Lamp with Wall Bracket - Dove Grey	32068	\$320.00
Lamp with Wall Bracket - Linen White	32069	\$320.00
Lamp with Wall Bracket - Bright Chrome	32111	\$375.00

Accessories are color-matched.
Lamps with accessories come with a table base.
See pg 27 for more information.

Description

Our sturdy, multi-purpose Original 1227™ wall mounted lamp, with its flexible shade, heavy cast iron bracket and perfect balance, gives you all the benefits of the Original 1227™ desk and table lamps in a stylish, wall mounted form. Ideal for domestic or commercial use.

Materials

- Gloss paint or bright chrome plated finish
- Aluminum shade
- Chrome plated aluminum arms
- Cast iron wall bracket
- Chrome plated fittings
- Anglepoise® constant tension spring technology

Dimensions

- Shade diameter: 5.9in
- Shade height: 5.9in
- Max reach: 23.6in (from wall mount to shade)
- Cable length: 78.7in
- Wall bracket (h x w x d): 3.9in x 2in x 6.7in
- Lamp Packaging (L x W x H): 12.4in x 6.7in x 21.5in
- Lamp Packaged Weight: 12.3lbs
- Bracket Packaging (L x W x H): 7.5in x 4.1in x 2.4in
- Bracket Packaged Weight: 2.1lbs

Electrical

- Voltage 110/120V, 50/60Hz
- cUL certified
- E26 lamp holder
- Note: Bulb weight critical for balance. Approximate bulb weight 25-60g
- Inline cable switch (13.4in from product)
- Plug: 2-blade US plug to NEMA 1-15
- Maximum permitted bulb: 15W CFL / 10W LED
- Supplied with a compatible E26 CFL or LED bulb:
 - 13W CFL:
 - Luminous Intensity: 900lm
 - Life: 10,000 Hours
 - Non-dimmable
 - Color Temperature: 2700K
 - CRI (Ra): 80
 - 6.5W LED:
 - Luminous Intensity: 600lm
 - Life: 15,000 Hours
 - Non-dimmable
 - Color Temperature: 3000K
 - CRI (Ra): ≥ 80