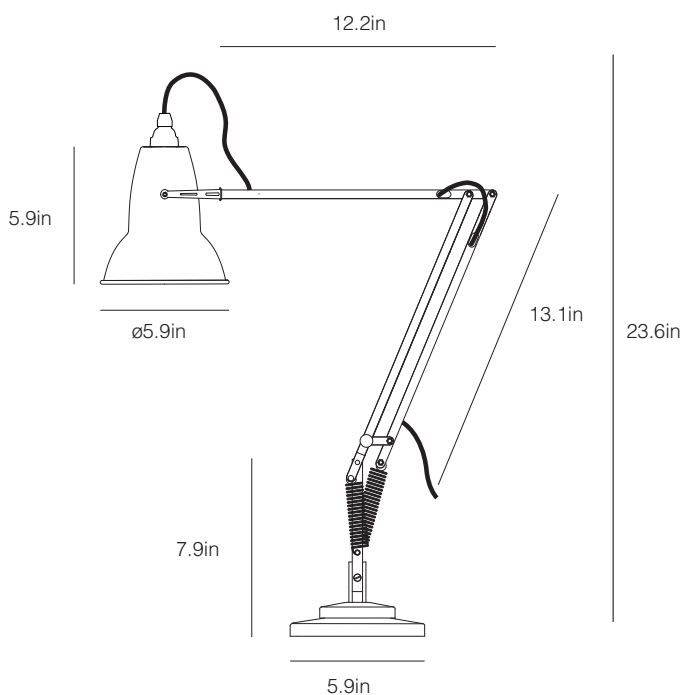
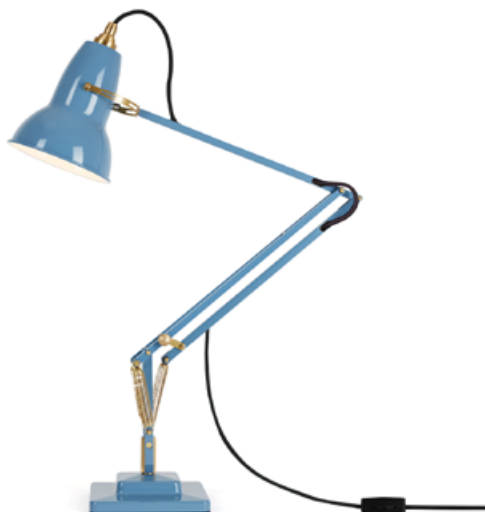


Original 1227™ Brass Desk Lamp

ANGLEPOISE®

Original 1227™ Brass Collection | February 2019 USD Price List

Launched In 2014 | Designed by George Carwardine



Product	Code	USD exc. Tax
Desk Lamp - Elephant Grey	31510	\$380.00
Desk Lamp - Dusty Blue	31511	\$380.00
Desk Lamp - Jet Black	32517	\$380.00

Description

Heritage inspired colors and authentic brass details create a new aesthetic for this iconic Anglepoise® design, whilst desk, wall and pendant options introduce greater versatility. With constant tension springs and flexible shade, the stylish table lamp offers unrivalled flexibility, smooth movement and perfect balance.

Materials

- Gloss paint finish
- Aluminum shade
- Painted aluminum arms
- Cast iron base with steel cover
- Brass shade cap, bridle, spacers and fittings
- Anglepoise® constant tension spring technology

Dimensions

- Shade diameter: 5.7in
- Shade height: 5.9in
- Max reach: 23.6in (from base to shade)
- Base size: 5.9in x 5.9in
- Cable length: 78.7in
- Lamp packaging (L x W x H): 12.4in x 7.5in x 18.9in
- Lamp packaged weight: 10.1lbs

Electrical

- Voltage 110/120V, 50/60Hz
- cUL certified
- E26 lamp holder
- Note: Bulb weight critical for balance. Approximate bulb weight 25-60g
- Inline cable switch (13.4in from product)
- Plug: 2-blade US plug to NEMA 1-15
- Maximum permitted bulb: 15W CFL / 10W LED
- Supplied with a compatible E26 CFL or LED bulb:
 - 13W CFL:
 - Luminous Intensity: 900lm
 - Life: 10,000 Hours
 - Non-dimmable
 - Color Temperature: 2700K
 - CRI (Ra): 80
 - 6.5W LED:
 - Luminous Intensity: 600lm
 - Life: 15,000 Hours
 - Non-dimmable
 - Color Temperature: 3000K
 - CRI (Ra): ≥ 80



Bulb included

illuminations
425 Peachtree Hills Ave NE #3, Atlanta, GA 30305
404.876.1064 sales@illumco.com