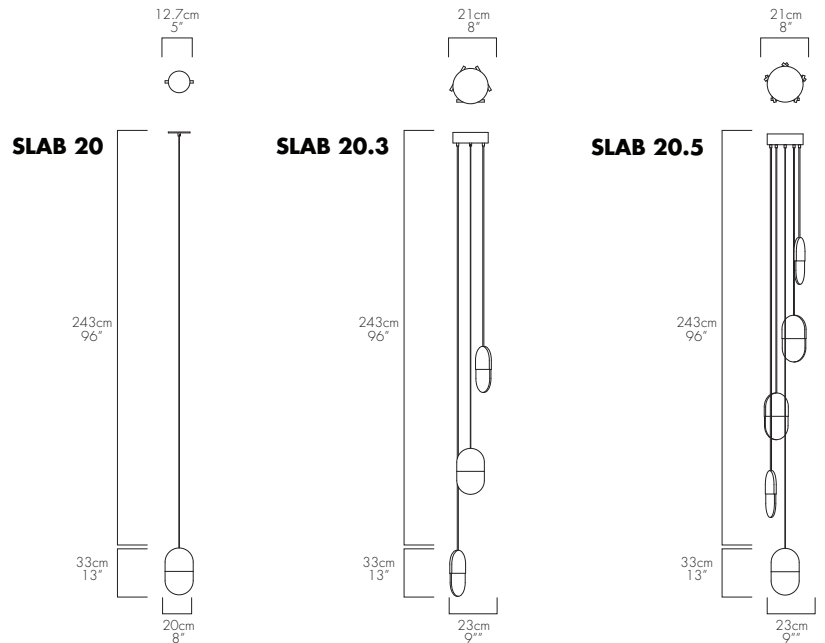


SLAB 20 / 20.3 / 20.5

LUKAS PEET / 2013



SLA-20.3-P-VVV-GRY-012



DESCRIPTION

A LED wall light covered in industrial grade felt made from 100% natural Merino wool, available in a variety of colours.

MOUNTING TYPE

Pendant

MATERIALS

Acrylic
100% Merino Wool Felt

MANUFACTURED

Canada

DIMENSIONS

20 x 33 x 1.5cm / 8"x 13"x 0.6"
Per Piece

FACTORY DROP LENGTH

243cm / 96"

*Custom Length Available Upon Request.

FINISHES

White Wool



Marigold



Grey Wool



Fern Green



Brown Wool



Black Wool



Custom Felt



ELECTRICAL

SLAB 20 - 2W LED Panel

SLAB 20.3 - 6W LED Total

SLAB 20.5 - 10W LED Total

70 000 Hrs Lifetime

3000K 'WW' / 4100K 'NW'

91 CRI

120V Input 60Hz

12V DC

Low Voltage Magnetic Driver

Integral 12V Power Supply Included
(Located In Canopy)

*0-10 Electronic Dimming available upon request

*Other Colour Temperatures Available Upon Request

CERTIFICATIONS



CODE GENERATOR

PENDANT	TEMP.	FINISH.	VOLTAGE.	QUANTITY
'P'	3000K - 'WW'	WHITE - 'WWH'	12 VOLT - '012'	
	4100K - 'NW'	GREY - 'GRY'		
		BROWN - 'BRN'		
		BLACK - 'BLK'		
		YELLOW - 'GLD'		
		GREEN - 'FRN'		

SLAB 20 PENDANT	ABOVE EXAMPLE	SLA - 20.3 -	P -	- WW	- GRY	- 012	-
SLAB 20		SLA - 20 -	P -	-	-	- 012	-
SLAB 20.3		SLA - 20.3 -	P -	-	-	- 012	-
SLAB 20.5		SLA - 20.5 -	P -	-	-	- 012	-



WWW.
INFO@
+ 1 60

illuminations
425 Peachtree Hills Ave NE #3, Atlanta, GA 30305
404.876.1064
sales@illumco.com