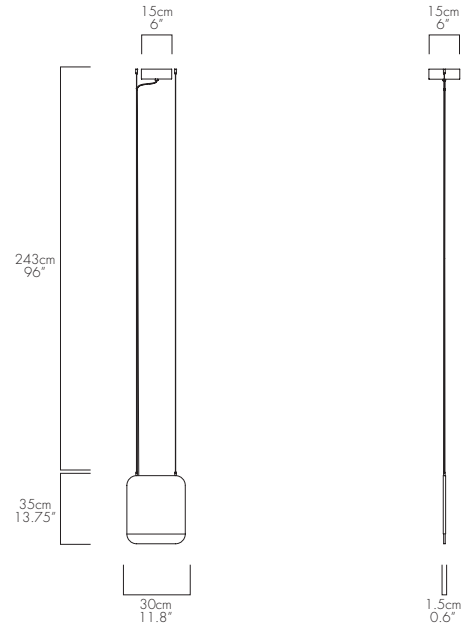


# SLAB 30

LUKAS PEET / 2013



## DESCRIPTION

A series of LED pendant lights and wall sconces enveloped with industrial grade felt made from 100% natural Merino wool.

The Starting point of the SLAB light was to create a light fixture that would reduce the acoustic ambient sound in the environment that it is hung in.

Designed to have a large sound absorbing face and contrasted by its minimal 1.5mm thick edge. The fixture has a noticeable but not overwhelming presence

## MOUNTING TYPE

Pendant

## MATERIALS

Acrylic  
100% wool felt

## MANUFACTURED

Canada

## DIMENSIONS

30 x 35 x 1.5cm / 12" x 13.75" x 0.6"

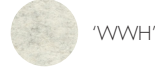
## FACTORY DROP LENGTH

243cm / 96"

\*custom length available upon request.

## FINISHES

White Wool



'WWH'

Marigold



'GLD'

Grey Wool



'GRY'

Fern Green



'FRN'

Brown Wool



'BRN'

Black Wool



'BLK'

Custom Felt



## ELECTRICAL

4W LED Panel

70 000 hrs lifetime

3000K / 4100K

91 CRI

120V input 60Hz (\*220V & 277V available upon request).

12V DC

Low Voltage Magnetic Driver

Integral 12V power supply included (located in canopy).

\*0-10 Electronic Dimming available upon request

\*Other colour temperatures available upon request

## CERTIFICATIONS



| SLAB 30 | FINISH          | TEMP.      |                     |                          |
|---------|-----------------|------------|---------------------|--------------------------|
|         | White           | WW / 3000K | SLA-30-P-WW-WWH-012 | <input type="checkbox"/> |
|         | White           | NW / 4100K | SLA-30-P-NW-WWH-012 | <input type="checkbox"/> |
|         | Grey            | WW / 3000K | SLA-30-P-WW-GRY-012 | <input type="checkbox"/> |
|         | Grey            | NW / 4100K | SLA-30-P-NW-GRY-012 | <input type="checkbox"/> |
|         | Brown           | WW / 3000K | SLA-30-P-WW-BRN-012 | <input type="checkbox"/> |
|         | Brown           | NW / 4100K | SLA-30-P-NW-BRN-012 | <input type="checkbox"/> |
|         | Black           | WW / 3000K | SLA-30-P-WW-BLK-012 | <input type="checkbox"/> |
|         | Black           | NW / 4100K | SLA-30-P-NW-BLK-012 | <input type="checkbox"/> |
|         | Marigold Yellow | WW / 3000K | SLA-30-P-WW-GLD-012 | <input type="checkbox"/> |
|         | Marigold Yellow | NW / 4100K | SLA-30-P-NW-GLD-012 | <input type="checkbox"/> |
|         | Fern Green      | WW / 3000K | SLA-30-P-WW-FRN-012 | <input type="checkbox"/> |
|         | Fern Green      | NW / 4100K | SLA-30-P-NW-FRN-012 | <input type="checkbox"/> |



**illuminations**

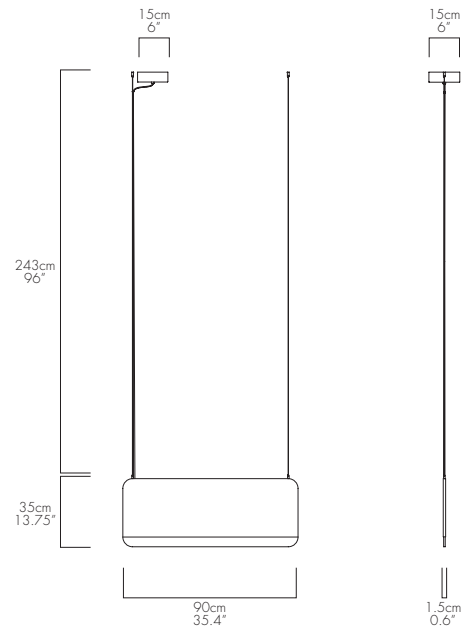
425 Peachtree Hills Ave. NE #3 Atlanta, GA 30305

404.876.1064

sales@illumco.com

# SLAB 90

LUKAS PEET / 2013



## DESCRIPTION

A series of LED pendant lights and wall sconces enveloped with industrial grade felt made from 100% natural Merino wool.

The Starting point of the SLAB light was to create a light fixture that would reduce the acoustic ambient sound in the environment that it is hung in.

Designed to have a large sound absorbing face and contrasted by its minimal 1.5mm thick edge. The fixture has a noticeable but not overwhelming presence

## MOUNTING TYPE

Pendant

## MATERIALS

Acrylic  
100% wool felt

## MANUFACTURED

Canada

## DIMENSIONS

90 x 35 x 1.5cm / 35.4" x 13.75" x 0.6"

## FACTORY DROP LENGTH

243cm / 96"

\*custom length available upon request.

## FINISHES

White Wool



Grey Wool



Brown Wool



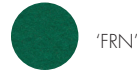
Black Wool



Marigold



Fern Green



Custom Felt



## ELECTRICAL

14W LED Panel

70 000 hrs lifetime

3000K / 4100K

91 CRI

120V input 60Hz (\*220V & 277V available upon request).

12V DC

Low Voltage Magnetic Driver

Integral 12V power supply included (located in canopy).

\*0-10 Electronic Dimming available upon request

\*Other colour temperatures available upon request

## CERTIFICATIONS



| SLAB 90 | FINISH          | TEMP.      |                     |                          |
|---------|-----------------|------------|---------------------|--------------------------|
|         | White           | WW / 3000K | SLA-90-P-WW-WWH-012 | <input type="checkbox"/> |
|         | White           | NW / 4100K | SLA-90-P-NW-WWH-012 | <input type="checkbox"/> |
|         | Grey            | WW / 3000K | SLA-90-P-WW-GRY-012 | <input type="checkbox"/> |
|         | Grey            | NW / 4100K | SLA-90-P-NW-GRY-012 | <input type="checkbox"/> |
|         | Brown           | WW / 3000K | SLA-90-P-WW-BRN-012 | <input type="checkbox"/> |
|         | Brown           | NW / 4100K | SLA-90-P-NW-BRN-012 | <input type="checkbox"/> |
|         | Black           | WW / 3000K | SLA-90-P-WW-BLK-012 | <input type="checkbox"/> |
|         | Black           | NW / 4100K | SLA-90-P-NW-BLK-012 | <input type="checkbox"/> |
|         | Marigold Yellow | WW / 3000K | SLA-90-P-WW-GLD-012 | <input type="checkbox"/> |
|         | Marigold Yellow | NW / 4100K | SLA-90-P-NW-GLD-012 | <input type="checkbox"/> |
|         | Fern Green      | WW / 3000K | SLA-90-P-WW-FRN-012 | <input type="checkbox"/> |
|         | Fern Green      | NW / 4100K | SLA-90-P-NW-FRN-012 | <input type="checkbox"/> |

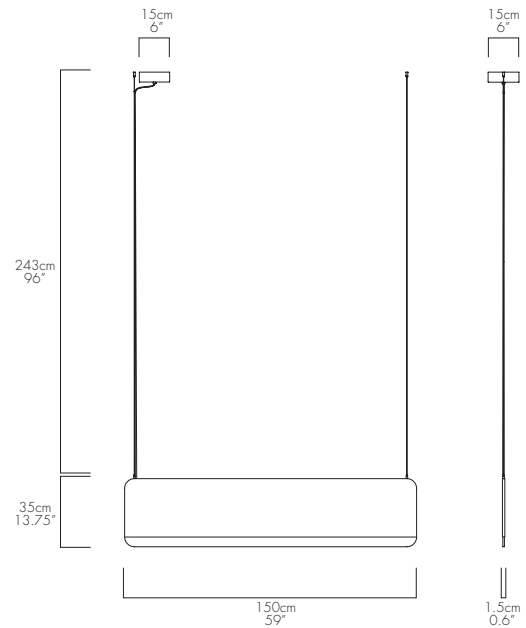


**illuminations**

425 Peachtree Hills Ave. NE #3 Atlanta, GA 30305  
404.876.1064 sales@illumco.com

# SLAB 150

LUKAS PEET / 2013



## DESCRIPTION

A series of LED pendant lights and wall sconces enveloped with industrial grade felt made from 100% natural Merino wool.

The Starting point of the SLAB light was to create a light fixture that would reduce the acoustic ambient sound in the environment that it is hung in.

Designed to have a large sound absorbing face and contrasted by its minimal 15mm thick edge. The fixture has a noticeable but not overwhelming presence

## MOUNTING TYPE

Pendant

## MATERIALS

Acrylic  
100% wool felt

MANUFACTURED  
Canada

## DIMENSIONS

150 x 35 x 1.5cm / 59" x 13.75" x 0.6"

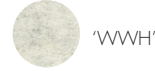
## FACTORY DROP LENGTH

243cm / 96"

\*custom length available upon request.

## FINISHES

White Wool



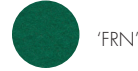
Marigold



Grey Wool



Fern Green



Brown Wool



Black Wool



Custom Felt



## ELECTRICAL

24W LED Panel

70 000 hrs lifetime

3000K / 4100K

91 CRI

120V input 60Hz (\*220V & 277V available upon request).

12V DC

Low Voltage Magnetic Driver

Integral 12V power supply included (located in canopy).

\*0-10 Electronic Dimming available upon request

\*Other colour temperatures available upon request

## CERTIFICATIONS



| SLAB 150 | FINISH          | TEMP.      |                      |                          |
|----------|-----------------|------------|----------------------|--------------------------|
|          | White           | WW / 3000K | SLA-150-P-WW-WWH-012 | <input type="checkbox"/> |
|          | White           | NW / 4100K | SLA-150-P-NW-WWH-012 | <input type="checkbox"/> |
|          | Grey            | WW / 3000K | SLA-150-P-WW-GRY-012 | <input type="checkbox"/> |
|          | Grey            | NW / 4100K | SLA-150-P-NW-GRY-012 | <input type="checkbox"/> |
|          | Brown           | WW / 3000K | SLA-150-P-WW-BRN-012 | <input type="checkbox"/> |
|          | Brown           | NW / 4100K | SLA-150-P-NW-BRN-012 | <input type="checkbox"/> |
|          | Black           | WW / 3000K | SLA-150-P-WW-BLK-012 | <input type="checkbox"/> |
|          | Black           | NW / 4100K | SLA-150-P-NW-BLK-012 | <input type="checkbox"/> |
|          | Marigold Yellow | WW / 3000K | SLA-150-P-WW-GLD-012 | <input type="checkbox"/> |
|          | Marigold Yellow | NW / 4100K | SLA-150-P-NW-GLD-012 | <input type="checkbox"/> |
|          | Fern Green      | WW / 3000K | SLA-150-P-WW-FRN-012 | <input type="checkbox"/> |
|          | Fern Green      | NW / 4100K | SLA-150-P-NW-FRN-012 | <input type="checkbox"/> |

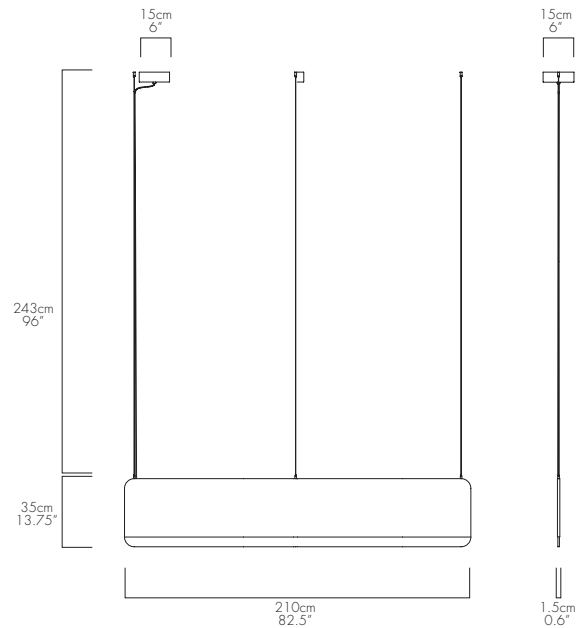
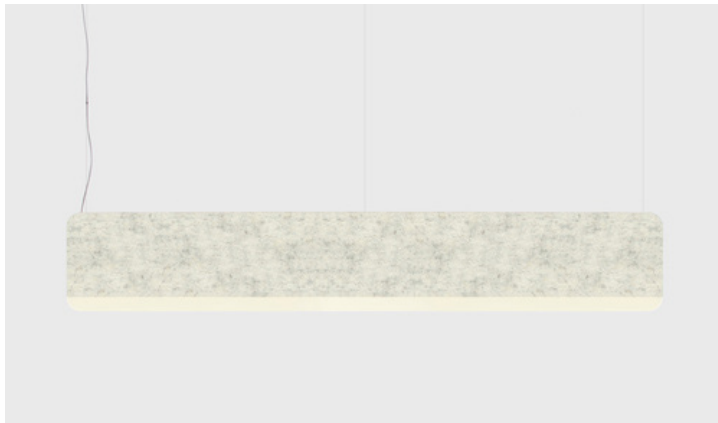


**illuminations**

425 Peachtree Hills Ave. NE #3 Atlanta, GA 30305  
404.876.1064 sales@illumco.com

# SLAB 210

LUKAS PEET / 2013



## DESCRIPTION

A series of LED pendant lights and wall sconces enveloped with industrial grade felt made from 100% natural Merino wool.

The Starting point of the SLAB light was to create a light fixture that would reduce the acoustic ambient sound in the environment that it is hung in.

Designed to have a large sound absorbing face and contrasted by its minimal 15mm thick edge. The fixture has a noticeable but not overwhelming presence

## MOUNTING TYPE

Pendant

## MATERIALS

Acrylic  
100% wool felt

## MANUFACTURED

Canada

## DIMENSIONS

210 x 35 x 1.5cm / 82.5" x 13.75" x 0.6"

## FACTORY DROP LENGTH

243cm / 96"

\*custom length available upon request.

## FINISHES

White Wool



Marigold



Grey Wool



Fern Green



Brown Wool



Black Wool



Custom Felt



## ELECTRICAL

34W LED Panel

70 000 hrs lifetime

3000K / 4100K

91 CRI

120V input 60Hz (\*220V & 277V available upon request).

12V DC

Low Voltage Magnetic Driver

Integral 12V power supply included (located in canopy).

\*0-10 Electronic Dimming available upon request

\*Other colour temperatures available upon request

## CERTIFICATIONS



| SLAB 210 | FINISH          | TEMP.      |                      |                          |
|----------|-----------------|------------|----------------------|--------------------------|
|          | White           | WW / 3000K | SLA-210-P-WW-WWH-012 | <input type="checkbox"/> |
|          | White           | NW / 4100K | SLA-210-P-NW-WWH-012 | <input type="checkbox"/> |
|          | Grey            | WW / 3000K | SLA-210-P-WW-GRY-012 | <input type="checkbox"/> |
|          | Grey            | NW / 4100K | SLA-210-P-NW-GRY-012 | <input type="checkbox"/> |
|          | Brown           | WW / 3000K | SLA-210-P-WW-BRN-012 | <input type="checkbox"/> |
|          | Brown           | NW / 4100K | SLA-210-P-NW-BRN-012 | <input type="checkbox"/> |
|          | Black           | WW / 3000K | SLA-210-P-WW-BLK-012 | <input type="checkbox"/> |
|          | Black           | NW / 4100K | SLA-210-P-NW-BLK-012 | <input type="checkbox"/> |
|          | Marigold Yellow | WW / 3000K | SLA-210-P-WW-GLD-012 | <input type="checkbox"/> |
|          | Marigold Yellow | NW / 4100K | SLA-210-P-NW-GLD-012 | <input type="checkbox"/> |
|          | Fern Green      | WW / 3000K | SLA-210-P-WW-FRN-012 | <input type="checkbox"/> |
|          | Fern Green      | NW / 4100K | SLA-210-P-NW-FRN-012 | <input type="checkbox"/> |



**illuminations**

425 Peachtree Hills Ave. NE #3 Atlanta, GA 30305  
404.876.1064 sales@illumco.com