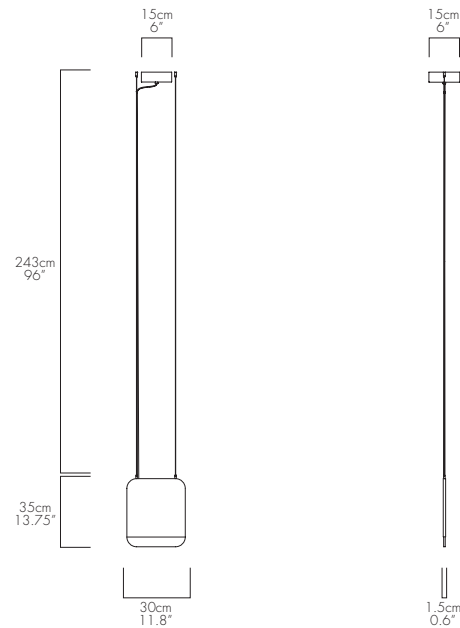


SLAB 30

LUKAS PEET / 2013



DESCRIPTION

A series of LED pendant lights and wall sconces enveloped with industrial grade felt made from 100% natural Merino wool.

The Starting point of the SLAB light was to create a light fixture that would reduce the acoustic ambient sound in the environment that it is hung in.

Designed to have a large sound absorbing face and contrasted by its minimal 1.5mm thick edge. The fixture has a noticeable but not overwhelming presence

MOUNTING TYPE

Pendant

MATERIALS

Acrylic
100% wool felt

MANUFACTURED

Canada

DIMENSIONS

30 x 35 x 1.5cm / 12" x 13.75" x 0.6"

FACTORY DROP LENGTH

243cm / 96"

*custom length available upon request.

FINISHES

White Wool



'WWH'

Marigold



'GLD'

Grey Wool



'GRY'

Fern Green



'FRN'

Brown Wool



'BRN'

Black Wool



'BLK'

Custom Felt



ELECTRICAL

4W LED Panel

70 000 hrs lifetime

3000K / 4100K

91 CRI

120V input 60Hz (*220V & 277V available upon request).

12V DC

Low Voltage Magnetic Driver

Integral 12V power supply included (located in canopy).

*0-10 Electronic Dimming available upon request

*Other colour temperatures available upon request

CERTIFICATIONS



SLAB 30	FINISH	TEMP.		
	White	WW / 3000K	SLA-30-P-WW-WWH-012	<input type="checkbox"/>
	White	NW / 4100K	SLA-30-P-NW-WWH-012	<input type="checkbox"/>
	Grey	WW / 3000K	SLA-30-P-WW-GRY-012	<input type="checkbox"/>
	Grey	NW / 4100K	SLA-30-P-NW-GRY-012	<input type="checkbox"/>
	Brown	WW / 3000K	SLA-30-P-WW-BRN-012	<input type="checkbox"/>
	Brown	NW / 4100K	SLA-30-P-NW-BRN-012	<input type="checkbox"/>
	Black	WW / 3000K	SLA-30-P-WW-BLK-012	<input type="checkbox"/>
	Black	NW / 4100K	SLA-30-P-NW-BLK-012	<input type="checkbox"/>
	Marigold Yellow	WW / 3000K	SLA-30-P-WW-GLD-012	<input type="checkbox"/>
	Marigold Yellow	NW / 4100K	SLA-30-P-NW-GLD-012	<input type="checkbox"/>
	Fern Green	WW / 3000K	SLA-30-P-WW-FRN-012	<input type="checkbox"/>
	Fern Green	NW / 4100K	SLA-30-P-NW-FRN-012	<input type="checkbox"/>

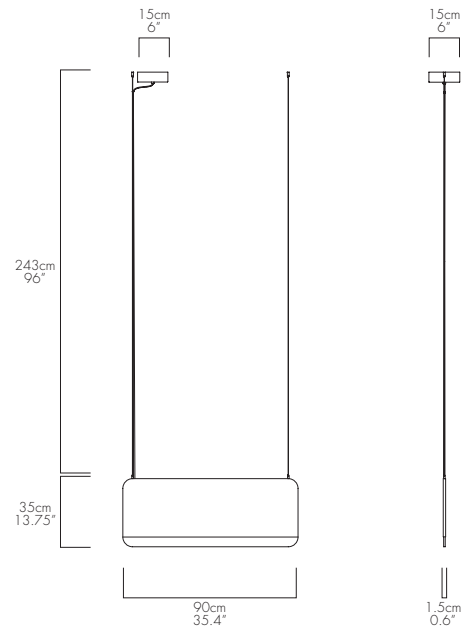


WWW.
INFO@
+ 1 60

illuminations
425 Peachtree Hills Ave NE #3, Atlanta, GA 30305
404.876.1064
sales@illumco.com

SLAB 90

LUKAS PEET / 2013



DESCRIPTION

A series of LED pendant lights and wall sconces enveloped with industrial grade felt made from 100% natural Merino wool.

The Starting point of the SLAB light was to create a light fixture that would reduce the acoustic ambient sound in the environment that it is hung in.

Designed to have a large sound absorbing face and contrasted by its minimal 15mm thick edge. The fixture has a noticeable but not overwhelming presence

MOUNTING TYPE

Pendant

MATERIALS

Acrylic
100% wool felt

MANUFACTURED

Canada

DIMENSIONS

90 x 35 x 1.5cm / 35.4" x 13.75" x 0.6"

FACTORY DROP LENGTH

243cm / 96"

*custom length available upon request.

FINISHES

White Wool



'WWH'

Marigold



'GLD'

Grey Wool



'GRY'

Fern Green



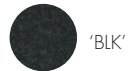
'FRN'

Brown Wool



'BRN'

Black Wool



'BLK'

Custom Felt



ELECTRICAL

14W LED Panel

70 000 hrs lifetime

3000K / 4100K

91 CRI

120V input 60Hz (*220V & 277V available upon request).

12V DC

Low Voltage Magnetic Driver

Integral 12V power supply included (located in canopy).

*0-10 Electronic Dimming available upon request

*Other colour temperatures available upon request

CERTIFICATIONS



SLAB 90	FINISH	TEMP.		
	White	WW / 3000K	SLA-90-P-WW-WWH-012	<input type="checkbox"/>
	White	NW / 4100K	SLA-90-P-NW-WWH-012	<input type="checkbox"/>
	Grey	WW / 3000K	SLA-90-P-WW-GRY-012	<input type="checkbox"/>
	Grey	NW / 4100K	SLA-90-P-NW-GRY-012	<input type="checkbox"/>
	Brown	WW / 3000K	SLA-90-P-WW-BRN-012	<input type="checkbox"/>
	Brown	NW / 4100K	SLA-90-P-NW-BRN-012	<input type="checkbox"/>
	Black	WW / 3000K	SLA-90-P-WW-BLK-012	<input type="checkbox"/>
	Black	NW / 4100K	SLA-90-P-NW-BLK-012	<input type="checkbox"/>
	Marigold Yellow	WW / 3000K	SLA-90-P-WW-GLD-012	<input type="checkbox"/>
	Marigold Yellow	NW / 4100K	SLA-90-P-NW-GLD-012	<input type="checkbox"/>
	Fern Green	WW / 3000K	SLA-90-P-WW-FRN-012	<input type="checkbox"/>
	Fern Green	NW / 4100K	SLA-90-P-NW-FRN-012	<input type="checkbox"/>

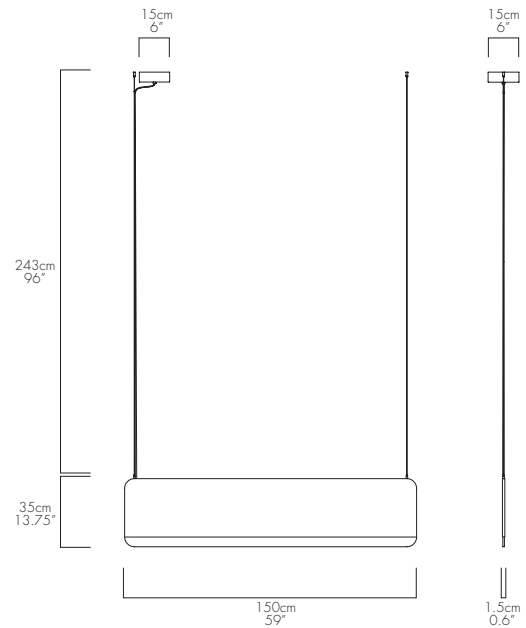


WWW.
INFO@
+ 1 60

illuminations
425 Peachtree Hills Ave NE #3, Atlanta, GA 30305
404.876.1064
sales@illumco.com

SLAB 150

LUKAS PEET / 2013



DESCRIPTION

A series of LED pendant lights and wall sconces enveloped with industrial grade felt made from 100% natural Merino wool.

The Starting point of the SLAB light was to create a light fixture that would reduce the acoustic ambient sound in the environment that it is hung in.

Designed to have a large sound absorbing face and contrasted by its minimal 15mm thick edge. The fixture has a noticeable but not overwhelming presence

MOUNTING TYPE

Pendant

MATERIALS

Acrylic
100% wool felt

MANUFACTURED

Canada

DIMENSIONS

150 x 35 x 1.5cm / 59" x 13.75" x 0.6"

FACTORY DROP LENGTH

243cm / 96"

*custom length available upon request.

FINISHES

White Wool



Grey Wool



Brown Wool



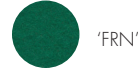
Black Wool



Marigold



Fern Green



Custom Felt



ELECTRICAL

24W LED Panel

70 000 hrs lifetime

3000K / 4100K

91 CRI

120V input 60Hz (*220V & 277V available upon request).

12V DC

Low Voltage Magnetic Driver

Integral 12V power supply included (located in canopy).

*0-10 Electronic Dimming available upon request

*Other colour temperatures available upon request

CERTIFICATIONS



SLAB 150	FINISH	TEMP.		
	White	WW / 3000K	SLA-150-P-WW-WWH-012	<input type="checkbox"/>
	White	NW / 4100K	SLA-150-P-NW-WWH-012	<input type="checkbox"/>
	Grey	WW / 3000K	SLA-150-P-WW-GRY-012	<input type="checkbox"/>
	Grey	NW / 4100K	SLA-150-P-NW-GRY-012	<input type="checkbox"/>
	Brown	WW / 3000K	SLA-150-P-WW-BRN-012	<input type="checkbox"/>
	Brown	NW / 4100K	SLA-150-P-NW-BRN-012	<input type="checkbox"/>
	Black	WW / 3000K	SLA-150-P-WW-BLK-012	<input type="checkbox"/>
	Black	NW / 4100K	SLA-150-P-NW-BLK-012	<input type="checkbox"/>
	Marigold Yellow	WW / 3000K	SLA-150-P-WW-GLD-012	<input type="checkbox"/>
	Marigold Yellow	NW / 4100K	SLA-150-P-NW-GLD-012	<input type="checkbox"/>
	Fern Green	WW / 3000K	SLA-150-P-WW-FRN-012	<input type="checkbox"/>
	Fern Green	NW / 4100K	SLA-150-P-NW-FRN-012	<input type="checkbox"/>

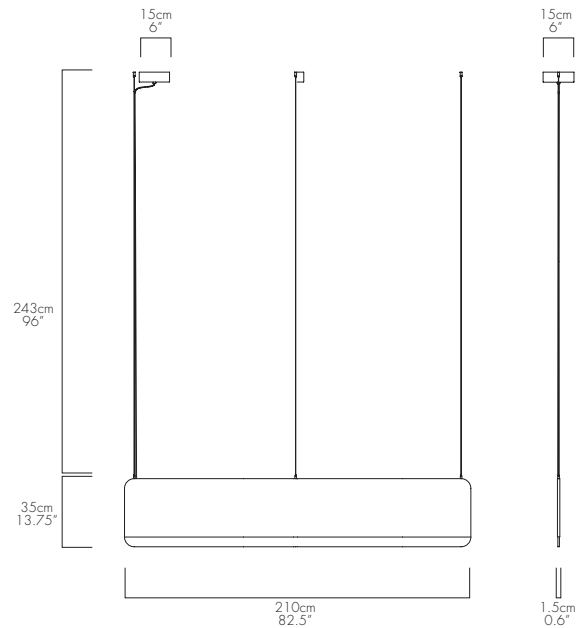


WWW.
INFO@
+ 1 60

illuminations
425 Peachtree Hills Ave NE #3, Atlanta, GA 30305
404.876.1064
sales@illumco.com

SLAB 210

LUKAS PEET / 2013



DESCRIPTION

A series of LED pendant lights and wall sconces enveloped with industrial grade felt made from 100% natural Merino wool.

The Starting point of the SLAB light was to create a light fixture that would reduce the acoustic ambient sound in the environment that it is hung in.

Designed to have a large sound absorbing face and contrasted by its minimal 15mm thick edge. The fixture has a noticeable but not overwhelming presence

MOUNTING TYPE

Pendant

MATERIALS

Acrylic
100% wool felt

MANUFACTURED

Canada

DIMENSIONS

210 x 35 x 1.5cm / 82.5" x 13.75" x 0.6"

FACTORY DROP LENGTH

243cm / 96"

*custom length available upon request.

FINISHES

White Wool



'WWH'

Marigold



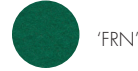
'GLD'

Grey Wool



'GRY'

Fern Green



'FRN'

Brown Wool



'BRN'

Black Wool



'BLK'

Custom Felt



ELECTRICAL

34W LED Panel

70 000 hrs lifetime

3000K / 4100K

91 CRI

120V input 60Hz (*220V & 277V available upon request).

12V DC

Low Voltage Magnetic Driver

Integral 12V power supply included (located in canopy).

*0-10 Electronic Dimming available upon request

*Other colour temperatures available upon request

CERTIFICATIONS



SLAB 210	FINISH	TEMP.		
	White	WW / 3000K	SLA-210-P-WW-WWH-012	<input type="checkbox"/>
	White	NW / 4100K	SLA-210-P-NW-WWH-012	<input type="checkbox"/>
	Grey	WW / 3000K	SLA-210-P-WW-GRY-012	<input type="checkbox"/>
	Grey	NW / 4100K	SLA-210-P-NW-GRY-012	<input type="checkbox"/>
	Brown	WW / 3000K	SLA-210-P-WW-BRN-012	<input type="checkbox"/>
	Brown	NW / 4100K	SLA-210-P-NW-BRN-012	<input type="checkbox"/>
	Black	WW / 3000K	SLA-210-P-WW-BLK-012	<input type="checkbox"/>
	Black	NW / 4100K	SLA-210-P-NW-BLK-012	<input type="checkbox"/>
	Marigold Yellow	WW / 3000K	SLA-210-P-WW-GLD-012	<input type="checkbox"/>
	Marigold Yellow	NW / 4100K	SLA-210-P-NW-GLD-012	<input type="checkbox"/>
	Fern Green	WW / 3000K	SLA-210-P-WW-FRN-012	<input type="checkbox"/>
	Fern Green	NW / 4100K	SLA-210-P-NW-FRN-012	<input type="checkbox"/>



WWW.
INFO@
+ 1 60

illuminations
425 Peachtree Hills Ave NE #3, Atlanta, GA 30305
404.876.1064
sales@illumco.com