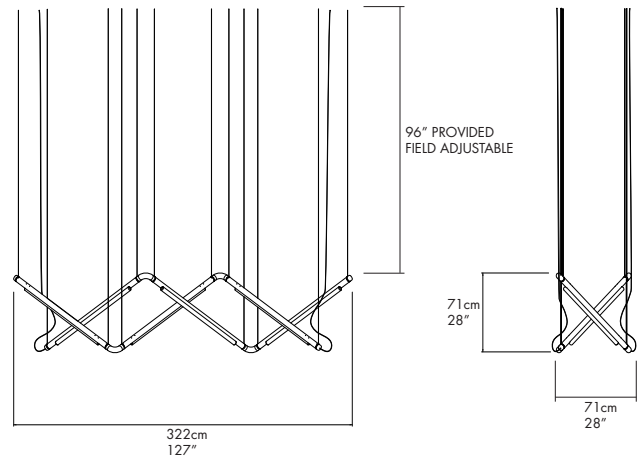


PIPELINE CM9

CAINE HEINTZMAN / 2013



DESCRIPTION

The Pipeline CM9 exemplifies the Pipeline Series's ability to expand in scale and volume by combining modular parts. The result is a large scale sculptural fixture.

MOUNTING TYPE

Pendant

MATERIALS

Aluminum body
Acrylic diffuser
Linear LED
Aircraft cable

MANUFACTURED

Canada

DIMENSIONS

322 x 71 x 71cm / 127" x 28" x 28"

FACTORY DROP LENGTH

243cm / 96"

*custom length available upon request.

FINISHES



ELECTRICAL

2 x 60W

70 000 hrs lifetime

2700K / 4100K

91 CRI

120V input 60Hz (*220V & 277V available upon request).

24V DC

Low Voltage Magnetic Driver

Integral 24V power supply included (located in canopy).

*0-10 Electronic Dimming available upon request

*Other colour temperatures available upon request

CERTIFICATIONS



PIPELINE CM9	FINISH	TEMP.	CODE	
	Black	WW / 2700K	PIP-CM9-P-WW-BK-024	<input type="checkbox"/>
	Black	NW / 4100K	PIP-CM9-P-NW-BK-024	<input type="checkbox"/>
	Copper	WW / 2700K	PIP-CM9-P-WW-CP-024	<input type="checkbox"/>
	Copper	NW / 4100K	PIP-CM9-P-NW-CP-024	<input type="checkbox"/>
	Polish / Copper	WW / 2700K	PIP-CM9-P-WW-PC-024	<input type="checkbox"/>
	Polish / Copper	NW / 4100K	PIP-CM9-P-NW-PC-024	<input type="checkbox"/>
	White	WW / 2700K	PIP-CM9-P-WW-WH-024	<input type="checkbox"/>
	White	NW / 4100K	PIP-CM9-P-NW-WH-024	<input type="checkbox"/>
	Brass	WW / 2700K	PIP-CM9-P-WW-BR-024	<input type="checkbox"/>
	Brass	NW / 4100K	PIP-CM9-P-NW-BR-024	<input type="checkbox"/>
	Black / Copper	WW / 2700K	PIP-CM9-P-WW-BC-024	<input type="checkbox"/>
	Black / Copper	NW / 4100K	PIP-CM9-P-NW-BC-024	<input type="checkbox"/>



illuminations

425 Peachtree Hills Ave. NE #3 Atlanta, GA 30305
404.876.1064 sales@illumco.com